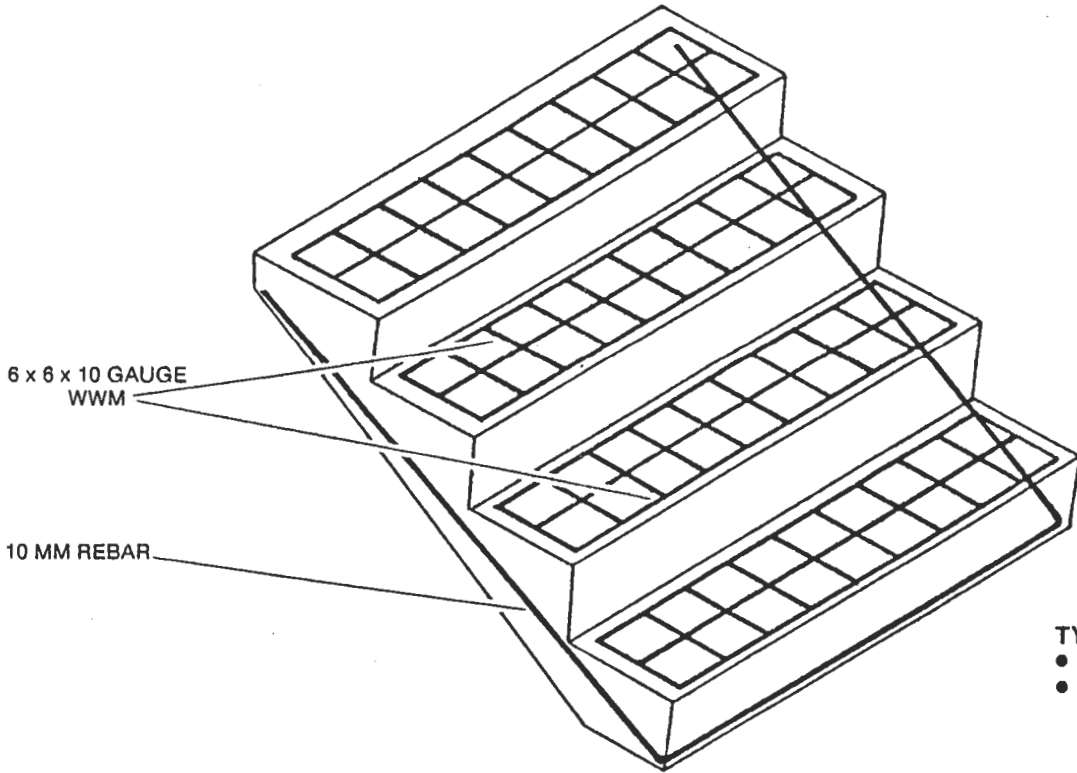


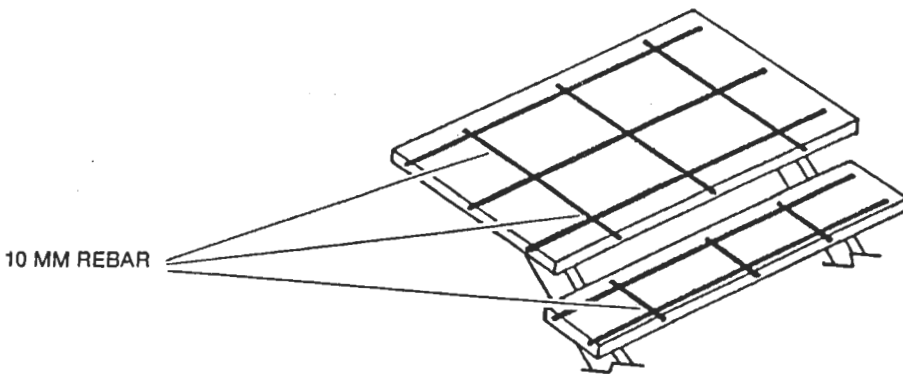


# REINFORCING



TYPICAL REINFORCING  
• SHORT STEPS  
• TERRACE STEPS

DETAIL #1



TYPICAL REINFORCING  
• SECTIONAL STEPS

DETAIL #2