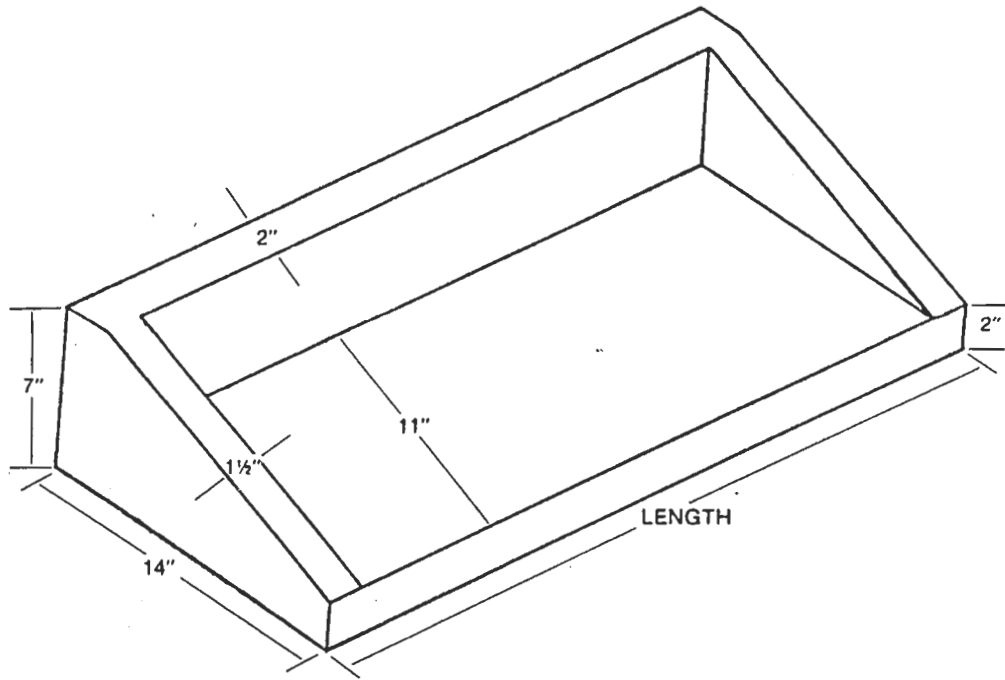




# LAWN STEP



ITEM #	DESCRIPTION	L	WEIGHT (LB.)
R12•001	24" LAWN STEP	24"	85
R12•002	30" LAWN STEP	30"	105
R12•003	36" LAWN STEP	36"	125

**SPECIFICATIONS:**

- 5000 PSI at 28 days
- Air entraining: 5-7%

**NOTES:**

- Ideal for gently sloping lawns
- Available as a terrace unit.
- See page R11•0 for various sizes

