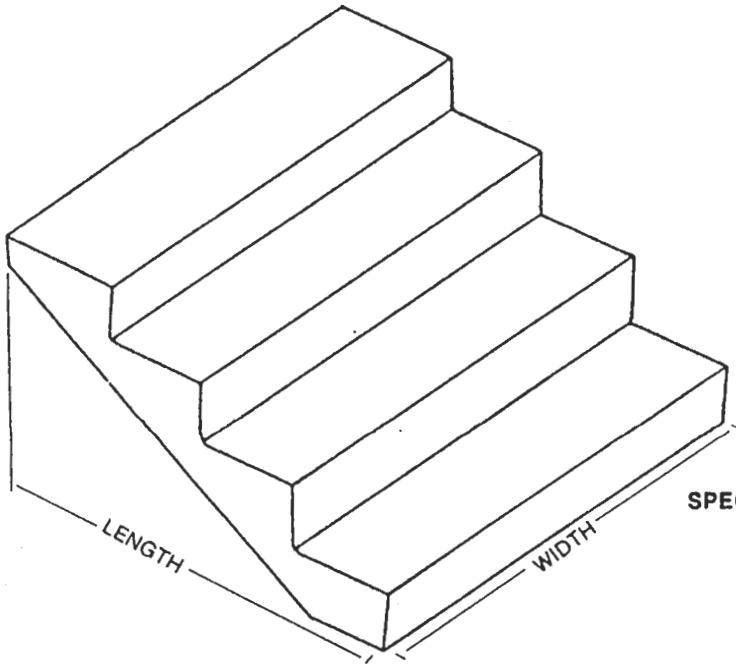




TERRACE STEPS



- SPECIFICATIONS:**
- 5000 PSI at 28 days
 - Reinforcing - as shown on page R14•2 Detail #1
 - Air entraining: 5-7%
 - Thickness: Sides - 2"
Platform/Treads - 3"

- NOTES:**
- Lined finish (see Detail #1, page R14•2)
 - 1 Riser unit available. See page R12•0

LENGTH		WIDTH		
		48"	60"	72"
6¾"	ITEM # WEIGHT (LB.)	R11•001 290	R11•006 305	R11•011 315
14"				
14"	ITEM # WEIGHT (LB.)	R11•002 555	R11•007 590	R11•012 600
25"				
21¼"	ITEM # WEIGHT (LB.)	R11•003 815	R11•008 870	R11•013 880
36"				
28½"	ITEM # WEIGHT (LB.)	R11•004 1085	R11•009 1155	R11•014 1165
47"				
36¾"	ITEM # WEIGHT (LB.)	N/A	R11•010 1450	R11•015 1460
58"				

