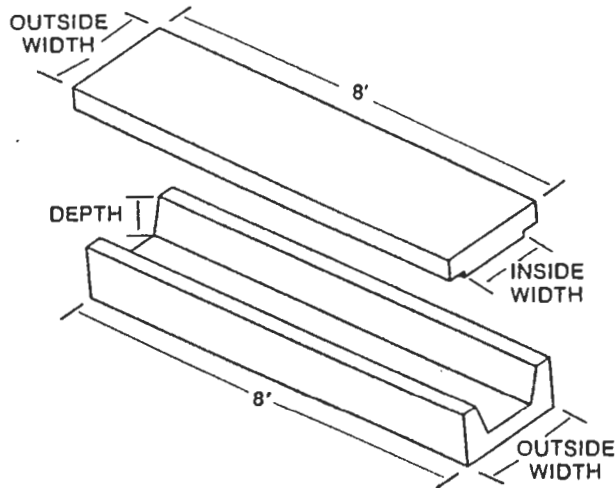




CABLE TROUGH AND COVER



	OUTSIDE WIDTH - in.	INSIDE WIDTH - in.	WEIGHT - lb.	DEPTH - in.	ITEM #
TROUGH	20	12	1200	8	C12•001
	24	16	1340	8	C12•002
LID	20	12	670	4	C12•003
	24	16	800	4	C12•004

- SPECIFICATIONS:**
- 5000 PSI at 28 days
 - Reinforcing as shown below
 - Air entraining: 5-7%

- NOTES:**
- Our Cable Troughs provide easy access to underground cables
 - Protects cables where heavy traffic poses a problem
 - Quick installation minimizes traffic obstruction
 - Other sizes available upon request

REINFORCEMENT:

