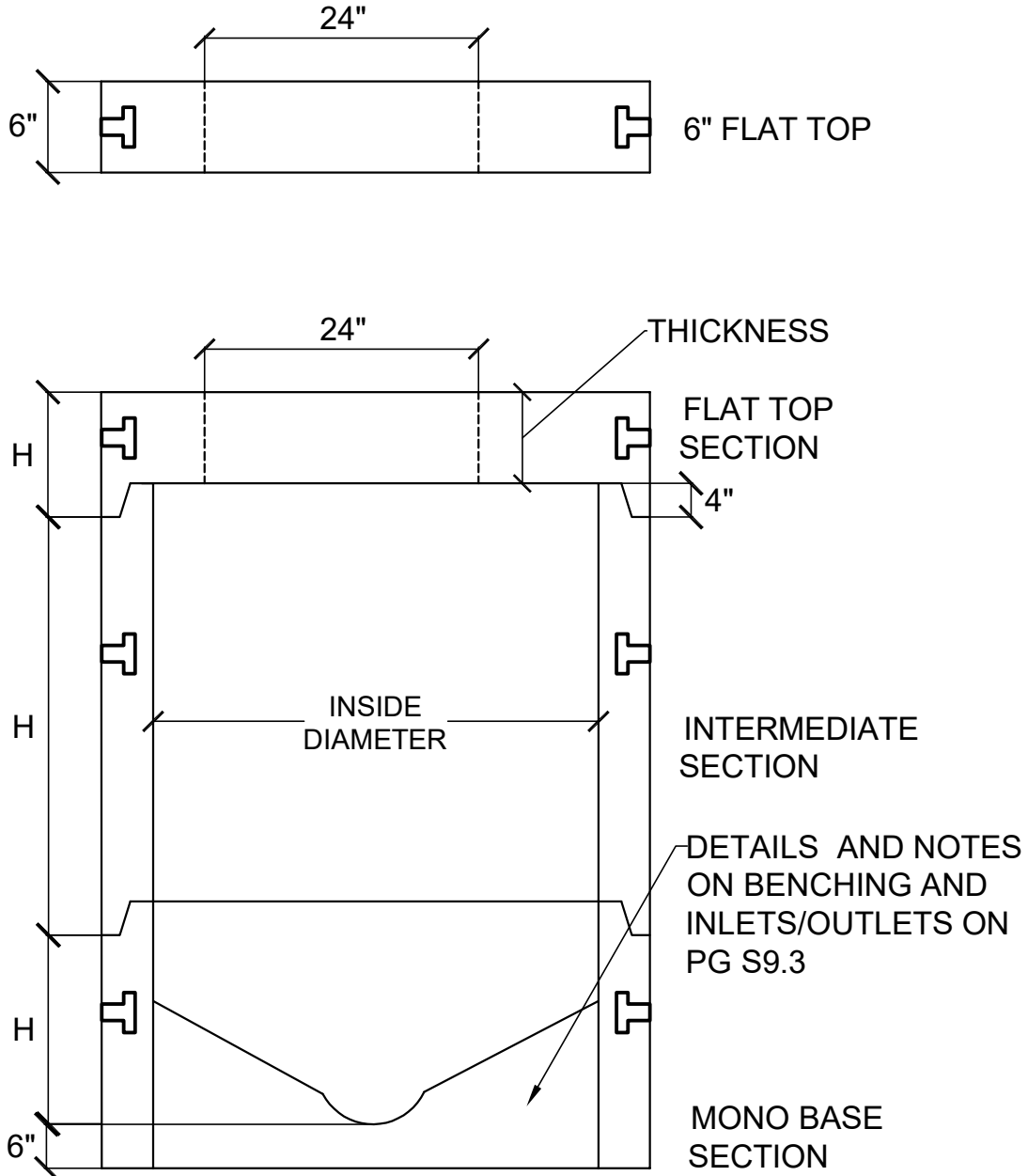




FLAT TOP MANHOLE



SPECIFICATIONS:
CONFORMS TO ASTM-C-478
LIFT INSERTS ON ALL SECTIONS EXCEPT GRADE RINGS
SIZE AND LOCATION OF PIPE OPENINGS AS PER CUSTOMER SPECIFICATION.