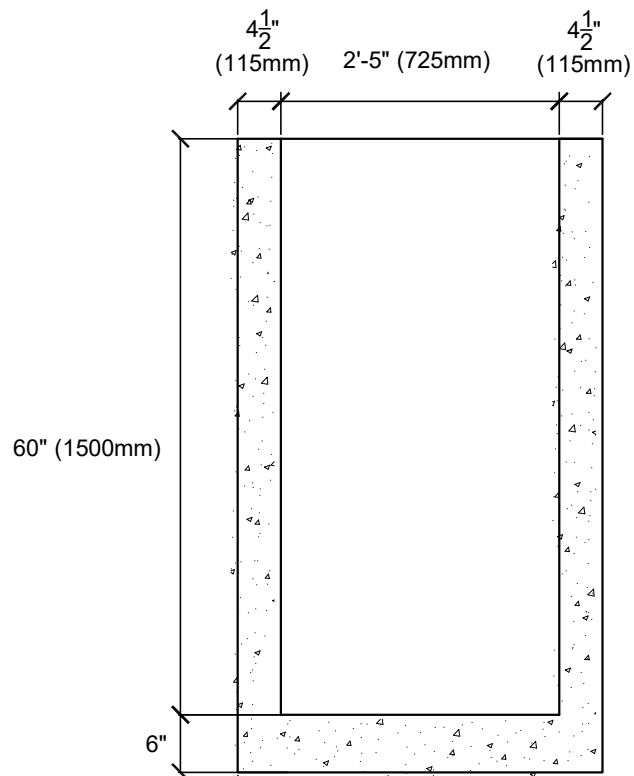
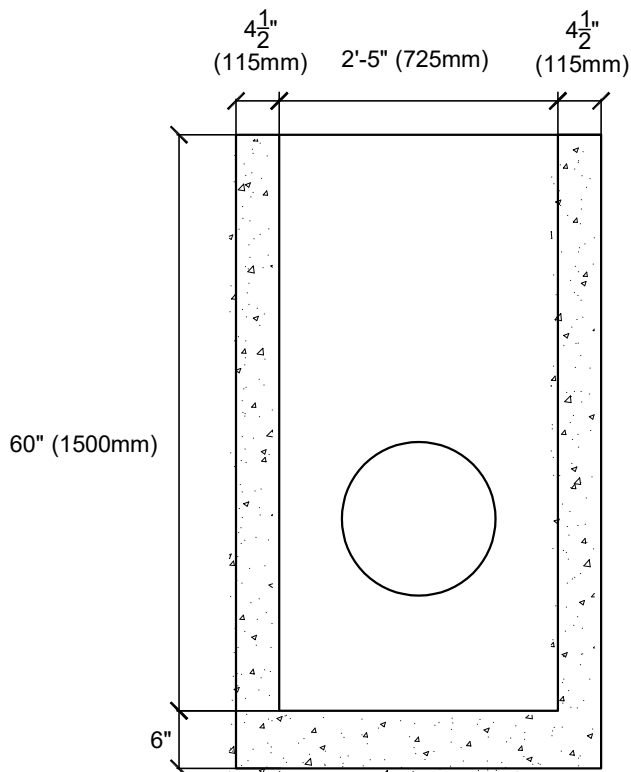
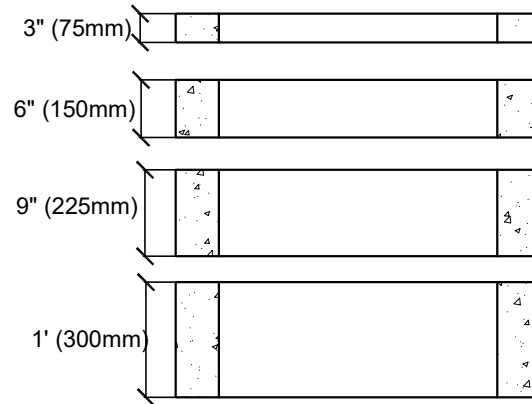
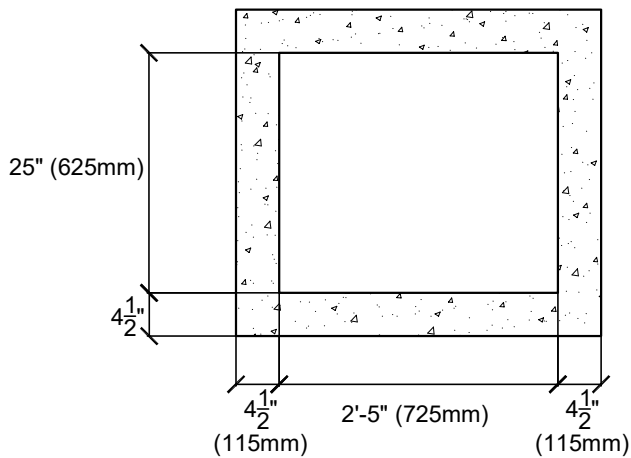




## STANDARD RECTANGULAR CATCHPIT

	HEIGHT	THICKNESS	WEIGHT (LBS.)	ITEM #
25" X 29" RECTANGULAR GRADE RING	3"	4 1/2"	145	S2.203
	6"	4 1/2"	290	S2.204
	9"	4 1/2"	435	S2.205
	12"	4 1/2"	580	S2.206
25" X 29" RECTANGULAR CATCHPIT NO BASE	60"	4 1/2"	2900	S2.201
25" X 29" RECTANGULAR CATCHPIT W/ BASE	66"	4 1/2"	3565	S2.202



**SPECIFICATIONS:**  
 5000 psi AT 28 DAYS  
 REINFORCING 6x6x6 W.W.M  
 AIR ENTRAINING 5-7%

**NOTES:** AVAILABLE WITH OR WITHOUT INTEGRAL BASE  
 STANDARD 16" (400mm) PIPE OPENING  
 OTHER OPENING SIZES AVAILABLE