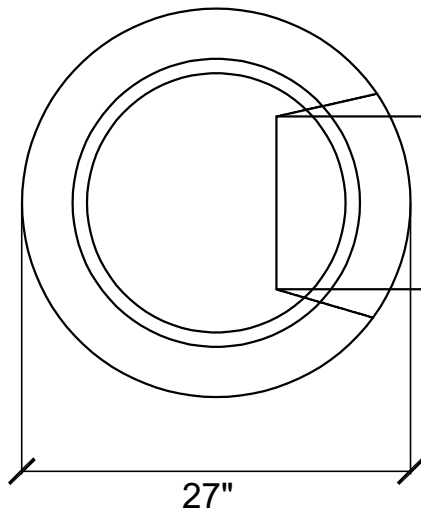


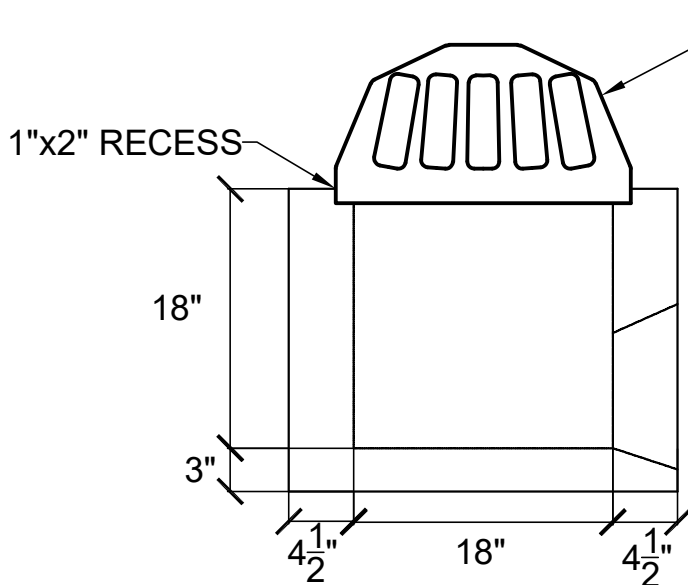


## STANDARD SLUICE BOX

ITEM #S2.401  
 WEIGHT 490LB



4", 6", 8", 10" OR 12" PVC PIPE  
 GROUT AS REQUIRED



IMP R30 DOME GRATE OR  
 R31 FLAT GRATE  
 (NO FRAME REQUIRED)

RISERS AVAILABLE IN 6, 12, 18, 24 INCH  
 FRAME REQUIRED WITH RISER

PIPE SIZE	HOLE SIZE (DIA)
8"	7" TAPER TO 5"
6"	9" TAPER TO 7"
8"	11" TAPER TO 9"
10"	13" TAPER TO 11"
12"	15" TAPER TO 13"