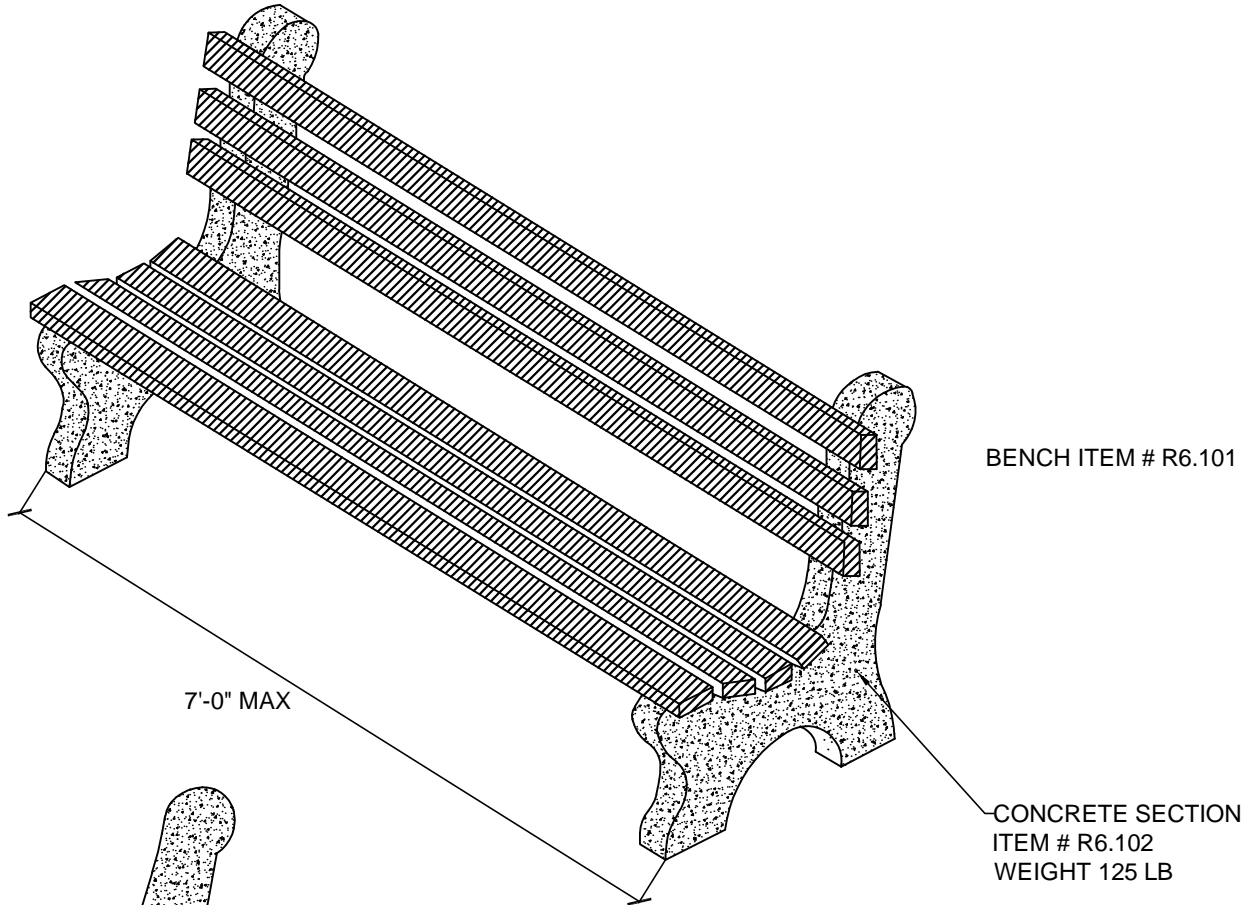
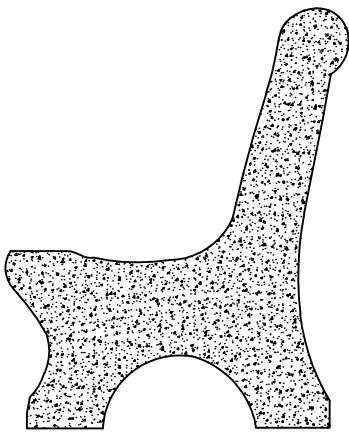


BENCH



7'-0" MAX



SPECIFICATIONS:
5000 psi AT 28 DAYS
AIR ENTRAINING 5-7%

NOTES: BENCH SOLD ASSEMBLED OR CONCRETE SECTIONS SOLD SEPARATELY (REQUIRES 7 PCS OF 2 x 4) PRESSURE TREATED WOOD, CONCRETE SECTIONS AND STAINLESS STEEL BOLTS C/W STAR INSERT ALL COMBINE, TO PROVIDE AN ATTRACTIVE, MAINTENANCE FREE PRODUCT THAT WILL NOT RUST, CORRODE OR DETERIORATE THE SIMPLE DESIGN AND NATURE OF THE MATERIAL MAKE THIS PRODUCT A BEAUTIFUL ADDITION TO ANY SURROUNDING.