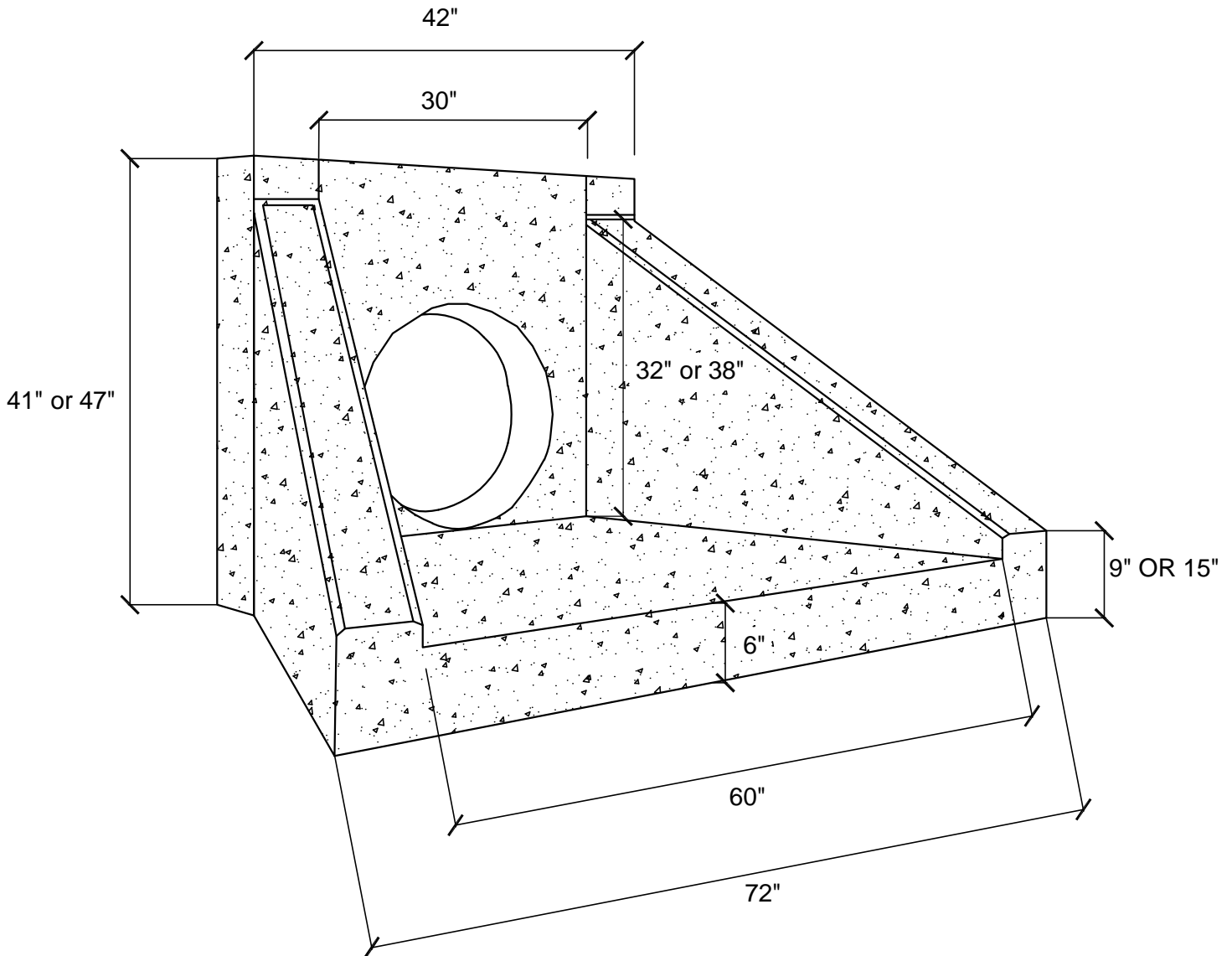


**CAMPBELL'S CONCRETE LTD.**  
420 MT. EDWARD ROAD, P.O. BOX 373 • CHARLOTTETOWN, P.E.I. C1A 7K7

# R18.0

## DRIVEWAY HEADWALL



**SPECIFICATIONS:**  
5000 psi AT 28 DAYS  
REINFORCING 10M REBAR 12" O/C  
AIR ENTRAINING 5-7%

**NOTES:** LIFT HOLES FOR EASE OF HANDLING  
PIPE OPENING TO CUSTOMER" SPECIFICATION  
AVAILABLE IN 2 HEIGHTS