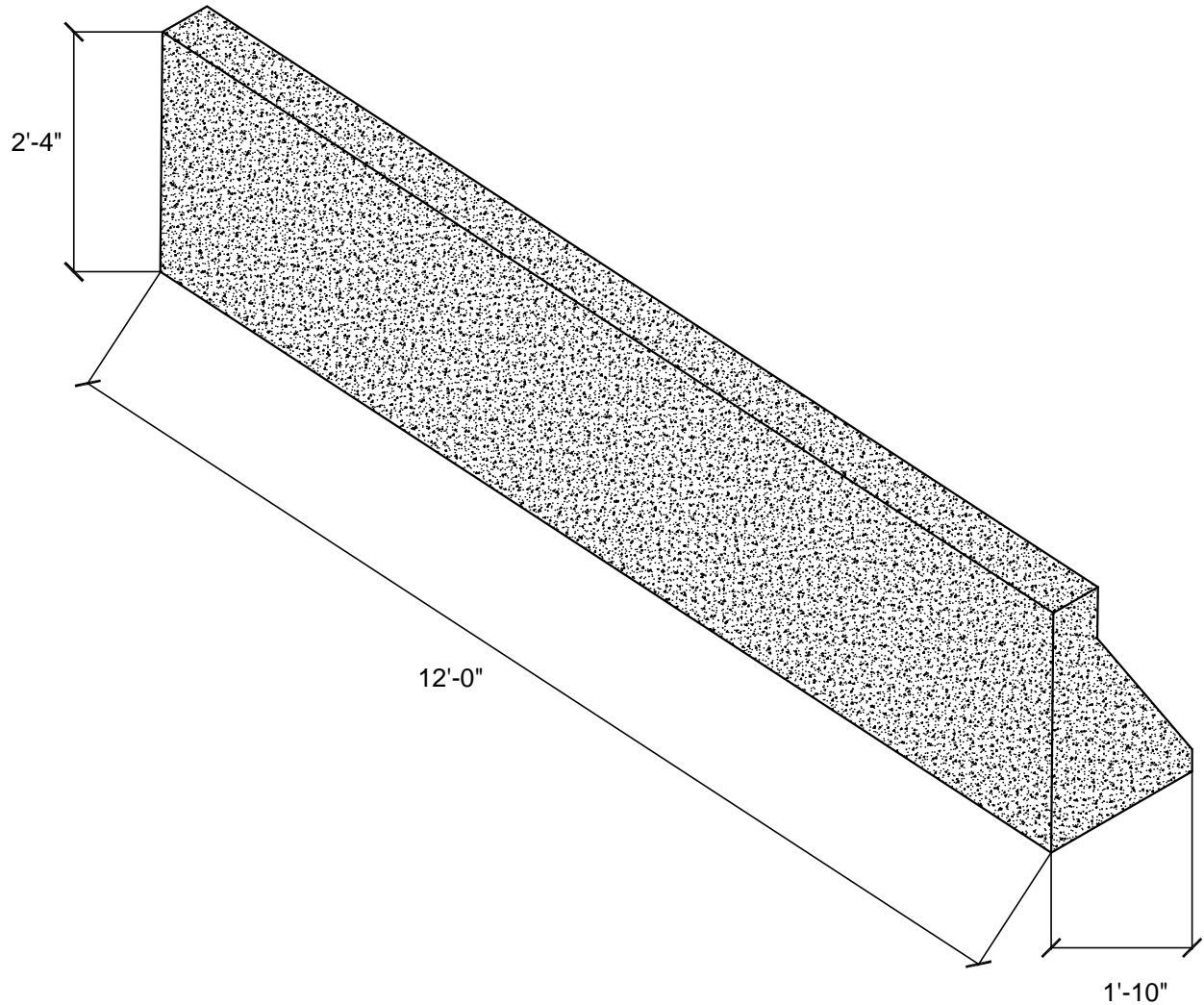
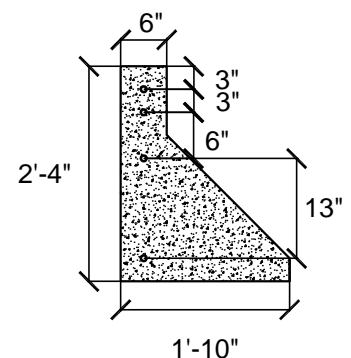


SINGLE UNIT RETAINING WALL



SPECIFICATIONS:
5000 psi AT 28 DAYS
AIR ENTRAINING 5-7%
10mm REBAR REINFORCING

10M REINFORCING



- NOTES: 1. RETAINING WALL SHOULD BE ANCHORED TO A "DEADMAN" OR SIMILAR ANCHORAGE
2. WALL IS TAPERED TO RESIST FROST MOVEMENT