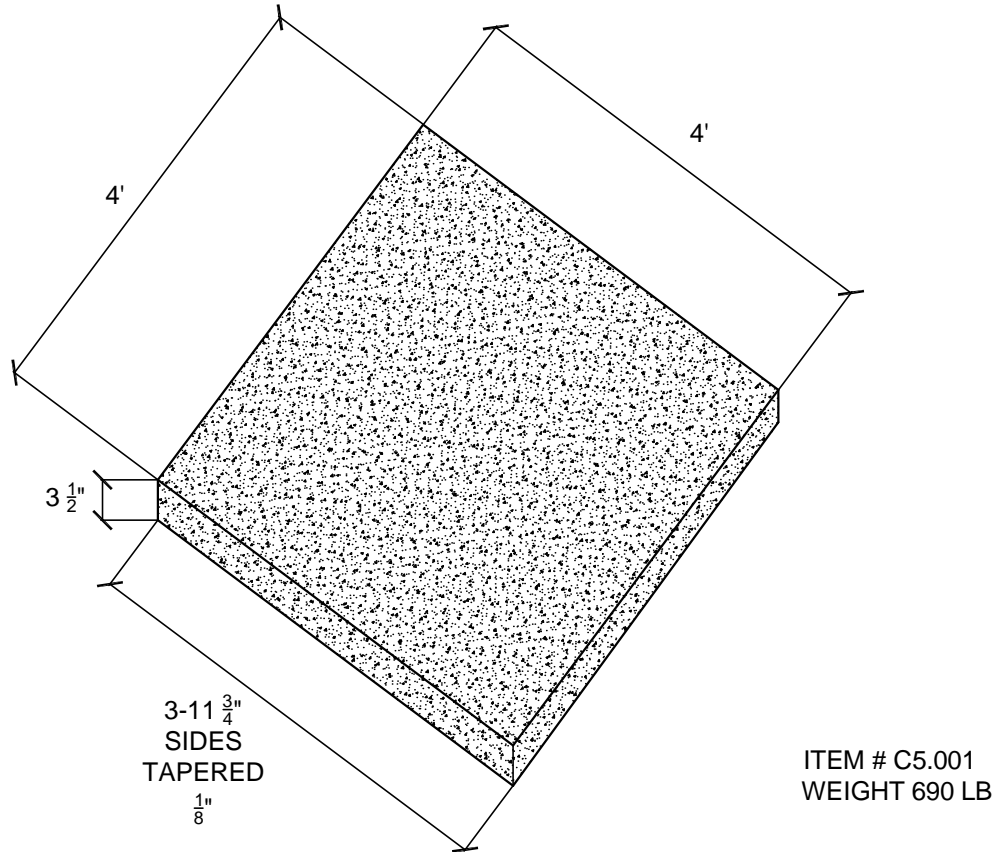


CAMPBELL'S CONCRETE LTD.
420 MT. EDWARD ROAD, P.O. BOX 373 • CHARLOTTETOWN, P.E.I. C1A 7K7

C5.0

PAVING SYSTEM



SPECIFICATIONS:
5000 psi AT 28 DAYS
REINFORCING AS SHOWN BELOW
NOTES: BLOCKS CAN EASILY BE MOVED TO ALLOW ACCESS TO
AREAS BELOW

