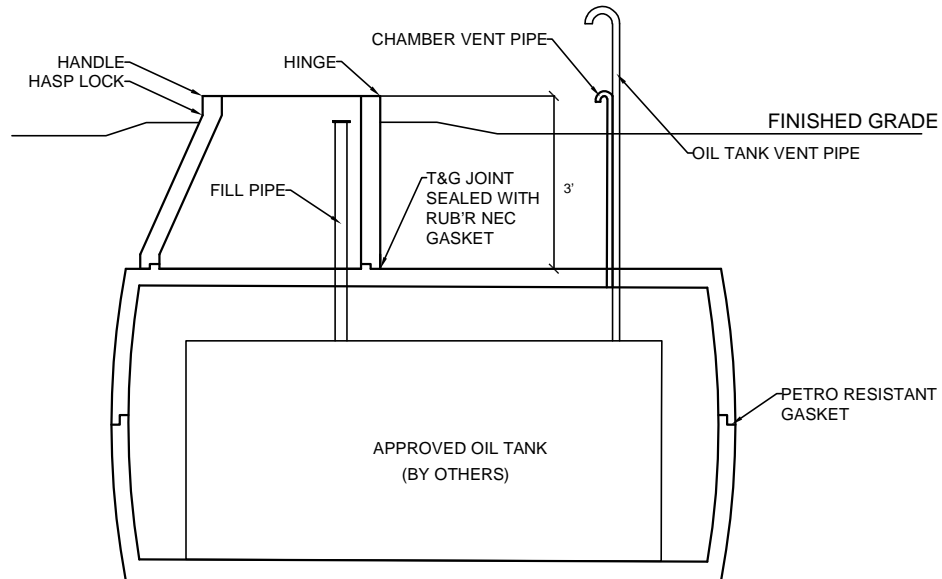
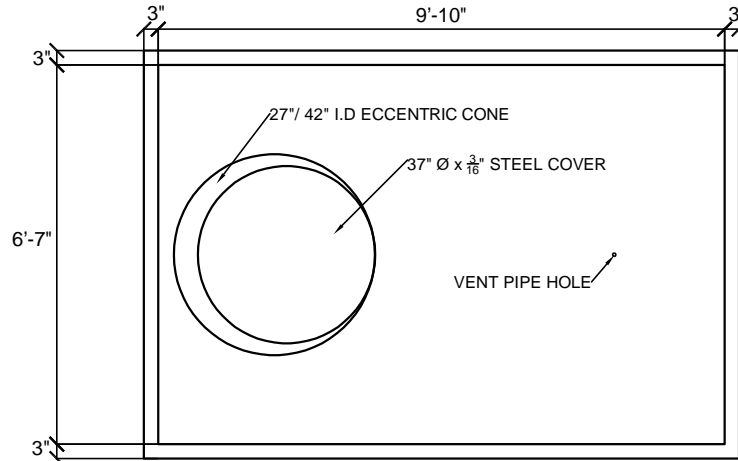


## BELOW GROUND PETROLEUM TANK CONTAINMENT VAULT



DESCRIPTION	OUTSIDE DIMENSIONS			THICKNESS		WEIGHT
	H	W	L	WALL	FLOOR	
500 GAL VAULT	5'-5"	7'-1"	10'-4"	3 1/2"	4"	14500
1100 GAL VAULT	6'-8"	7'-10"	15'-3"	4"	5"	26000
2000 GAL VAULT	8'-2"	7'-10"	15'-3"	4"	5"	29800

**SPECIFICATIONS:**  
 APPROVED BY P.E.I GOVERNMENT DEPT OF ENVIRONMENT  
 5000 psi AT 28 DAYS  
 REINFORCING 10M REBAR 16" O/C ACROSS FLOOR AND UP SIDES IN BOTH DIRECTIONS  
 AIR ENTRAINING 5-7%