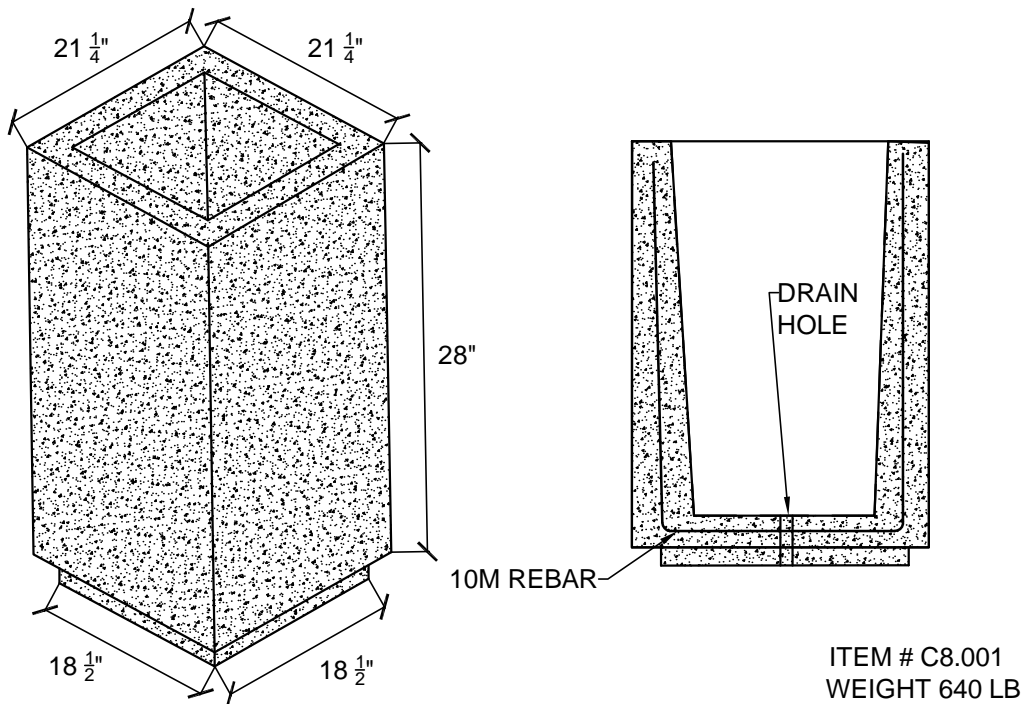


GARBAGE CONTAINER

7.001
1125 LB



SPECIFICATIONS:
5000 psi AT 28 DAYS
AIR ENTRAINING 5-7%
NOTES: STEEL LINERS SUPPLIED BY OTHERS
DOES NOT RUST OR DETERIORATE