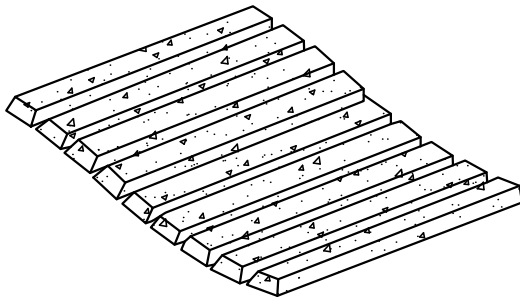
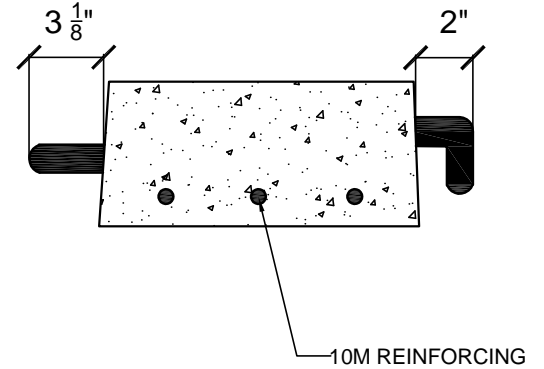
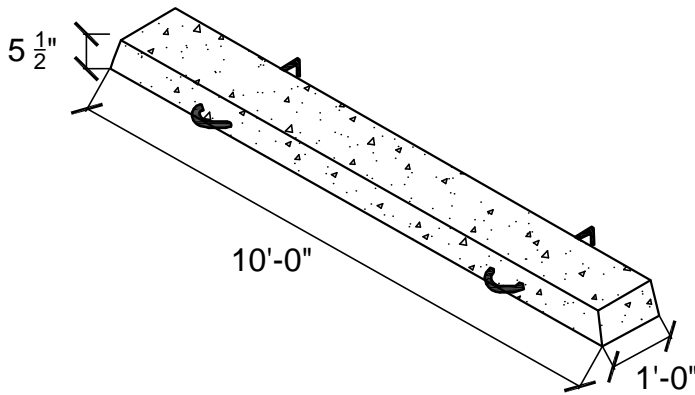
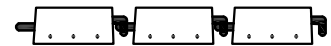


BOAT LAUNCH RAMP



INDIVIDUAL SECTIONS LINK
TOGETHER AS SHOWN HERE:



SPECIFICATIONS:
5000 psi AT 28 DAYS
EYES CAN BE PRODUCED TO CUSTOMER SPECIFICATIONS
AIR ENTRAINING 5-7%