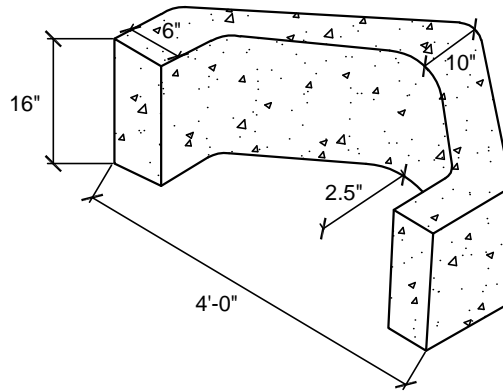
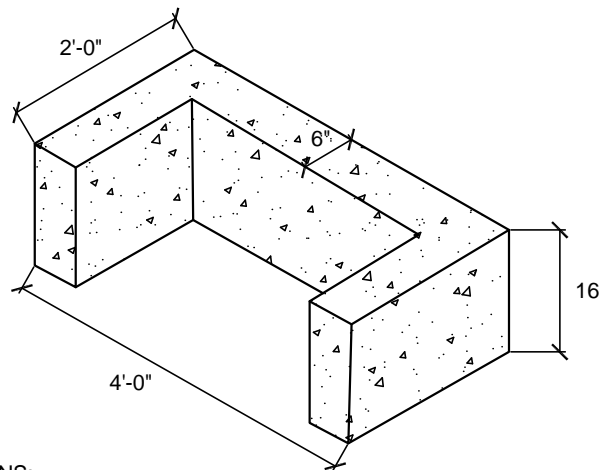


ANGLED PLANTER



ITEM # C3.001
WEIGHT 825LB

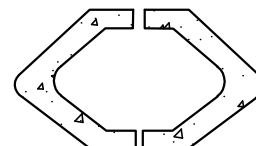
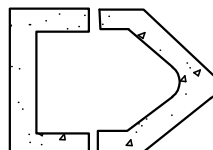
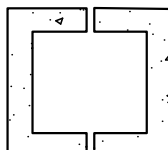
SQUARE PLANTER



ITEM # C3.002
WEIGHT 700LB

SPECIFICATIONS:
5000 psi AT 28 DAYS
REINFORCING- 2X2X12 GAUGE W.W.M
AIR ENTRAINING 5-7%

NOTES: RESISTS DAMAGE FROM ACCIDENTAL BUMPS
CAN BE SANDBLASTED TO OBTAIN AN EXPOSED AGGREGATE SURFACE
ANGLED PLANTER ACCOMMODATES PARKING
CAN BE ASSEMBLED AROUND EXISTING TREES
EXCELLENT TREE WELL
TREE GUARDS ALSO AVAILABLE. SEE R17.0



PLANTERS CAN BE ASSEMBLED IN THE FOLLOWING THREE WAYS: