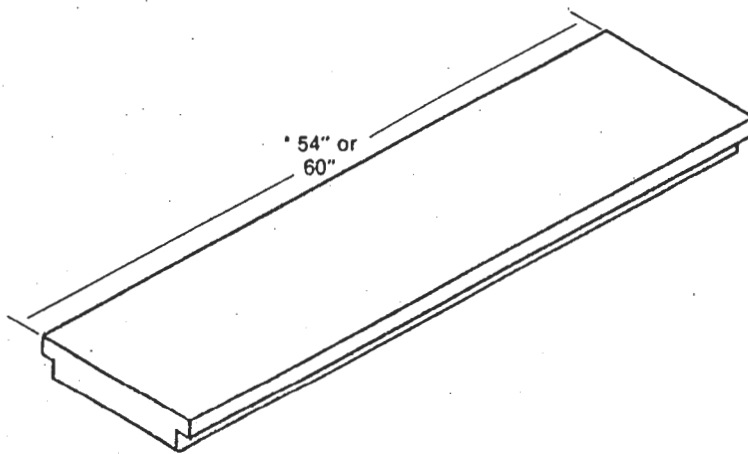




SEPTIC TANK COVERS



• LENGTH	ITEM #	WEIGHT
54"	W6•001	200 LB.
60"	W6•002	220 LB.

- SPECIFICATIONS:**
- 5000 PSI at 28 days
 - Air entraining: 5-7%
 - 10 mm reinforcing as shown below
 - Each section provides 14" of width

END VIEW SHOWING REINFORCING AND ADDITIONAL MEASUREMENTS:

