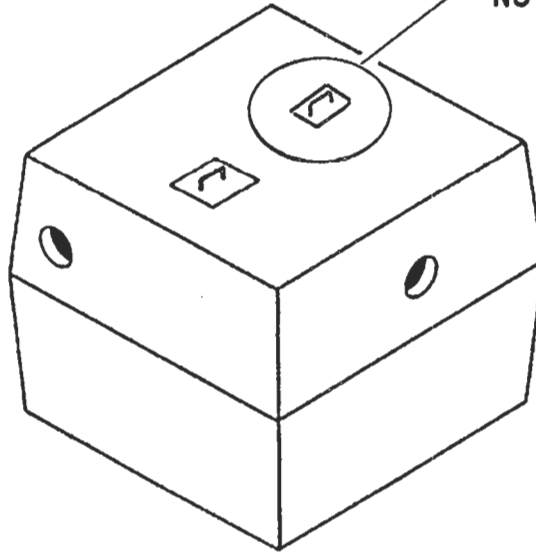




450 GAL. SEPTIC TANK

ACCESS COVERS WITH
HDPE LIFT HANDLES
See detail # W4-1
NOTE: 3½" thick top section

ISOMETRIC VIEW:



10 mm REINFORCING:

