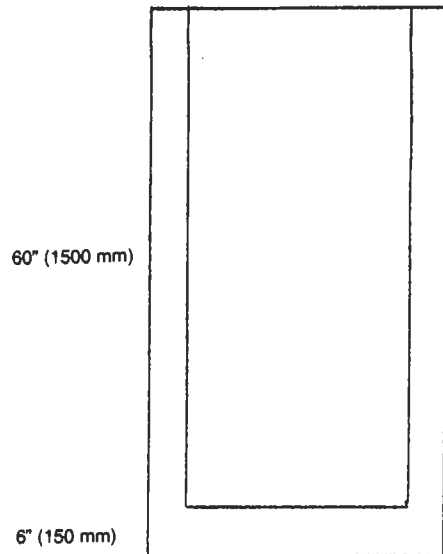
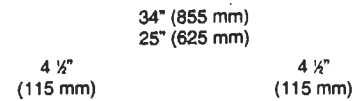
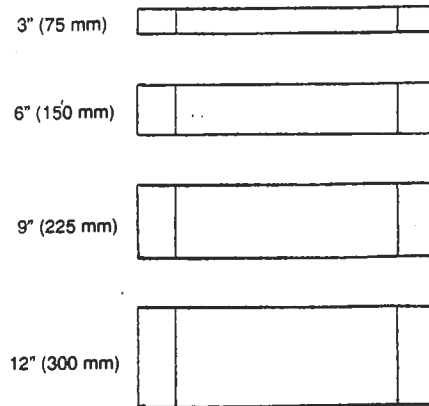
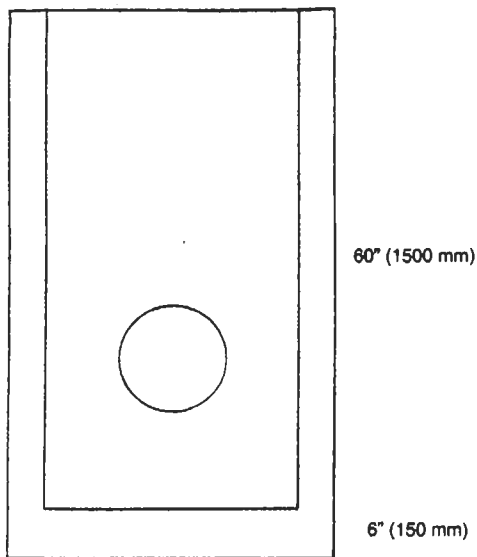
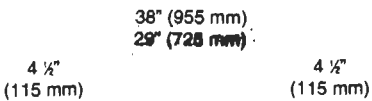
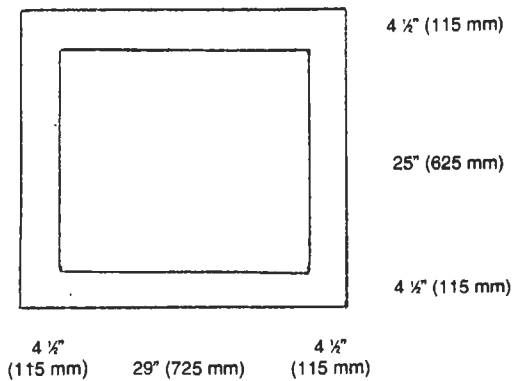




# STANDARD RECTANGULAR CATCHPIT



- SPECIFICATIONS:**
- 5000 PSI Concrete
  - Air entraining 5 - 7%
  - 4 x 4 - 6/8 gauge wwm

- NOTES:**
- Available with or without integral base
  - Standard 16" (400 mm) pipe opening
  - Other opening sizes & location available