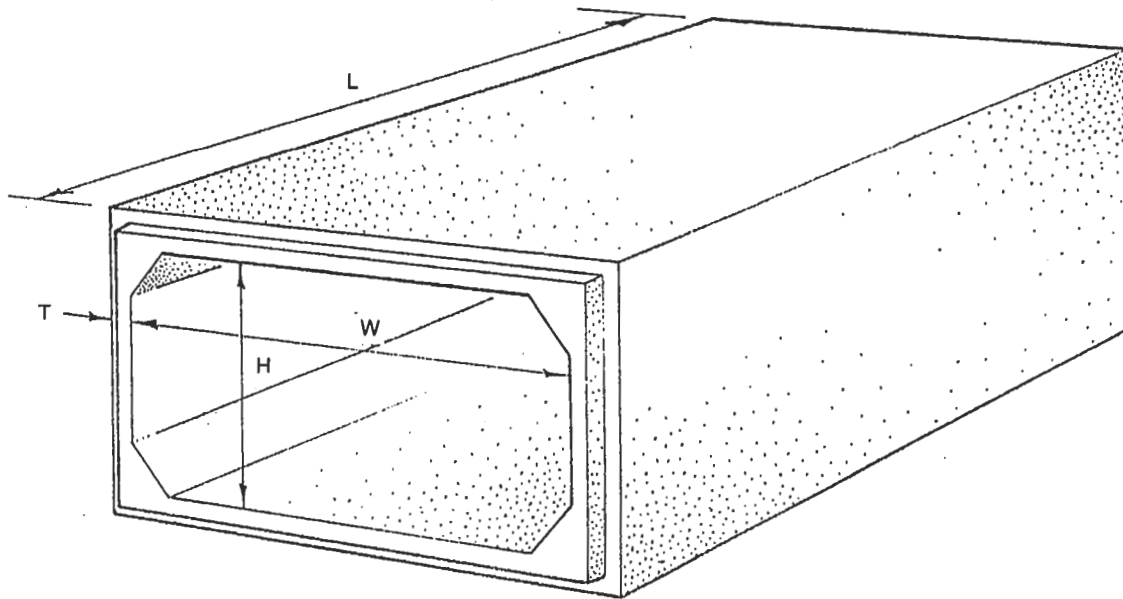




PRECAST CONCRETE BOX CULVERTS



- SPECIFICATIONS:**
- Conforms to ASTM C-789
 - Conforms to ASTM C-850

- NOTES:**
- Available in 2 x 4, 3 x 5, 4 x 6 sizes
 - Pipe openings or in wall gaskets available