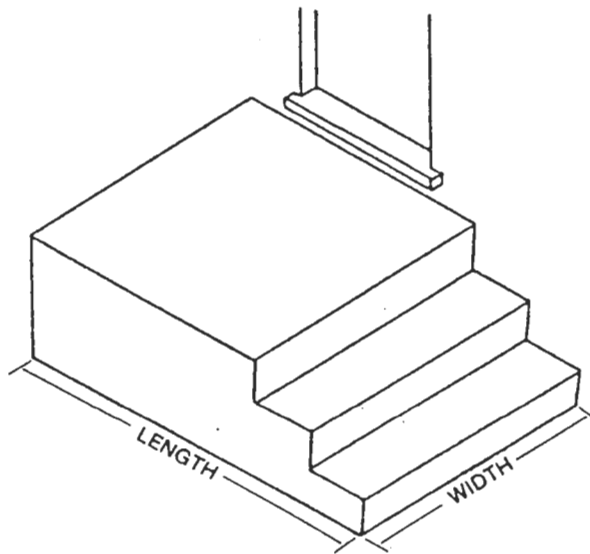




SIDE ENTRY STEPS



LENGTH		WIDTH	
		54"	
		ITEM # WEIGHT (LB.)	R9-101 900
		ITEM # WEIGHT (LB.)	R9-102 1300
		ITEM # WEIGHT (LB.)	R9-103 1725
		ITEM # WEIGHT (LB.)	R9-104 2160

- SPECIFICATIONS:**
- 5000 PSI at 28 days
 - Reinforcing - as shown on page R14•1, Detail #2
 - Thickness: Sides - 2"
Platform - 3"
Treads - 3"
 - Air entraining: 5-7%

NOTES: • Dimple finish (see Detail #2, page R14•0)