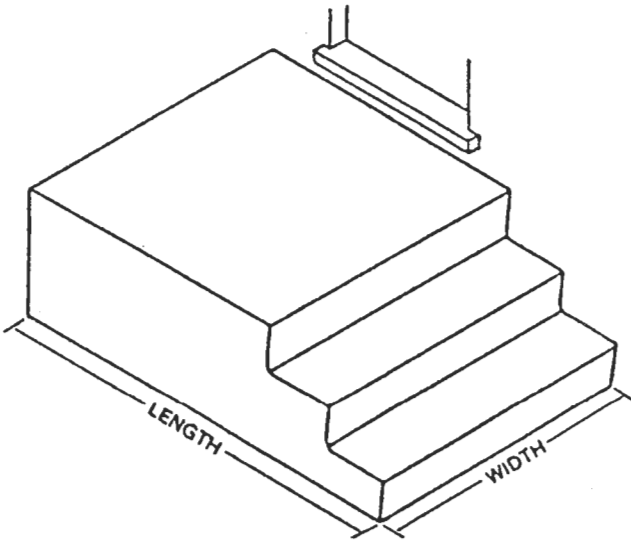




SIDE ENTRY STEPS



- SPECIFICATIONS:**
- 5000 PSI at 28 days
 - Reinforcing - as shown on page R14•1, Detail #2
 - Air entraining: 5-7%
 - Thickness: Sides - 2"
Platform - 3"
Treads - 3"

NOTES: • Lined finish (see Detail #1, page R14•0)

LENGTH		WIDTH		
		48"	60"	72"
48"		ITEM # R9•001 WEIGHT (LB.) 800	ITEM # R9•005 WEIGHT (LB.) 980	ITEM # R9•010 WEIGHT (LB.) 1075
59"		ITEM # R9•002 WEIGHT (LB.) 1175	ITEM # R9•006 WEIGHT (LB.) 1430	ITEM # R9•011 WEIGHT (LB.) 1555
70"		ITEM # R9•003 WEIGHT (LB.) 1560	ITEM # R9•007 WEIGHT (LB.) 1890	ITEM # R9•012 WEIGHT (LB.) 2050
81"		ITEM # R9•004 WEIGHT (LB.) 1960	ITEM # R9•008 WEIGHT (LB.) 2360	ITEM # R9•013 WEIGHT (LB.) 2560
92"		ITEM # N/A WEIGHT (LB.)	ITEM # R9•009 WEIGHT (LB.) 2845	ITEM # R9•014 WEIGHT (LB.) 3080