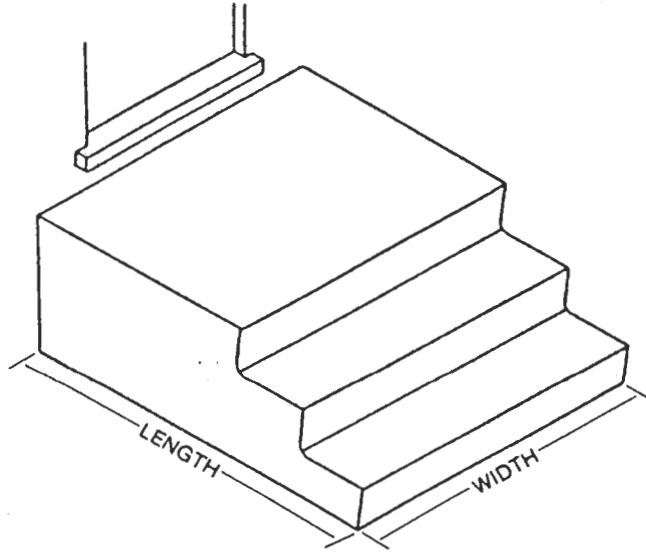
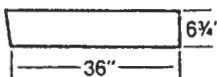
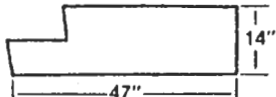
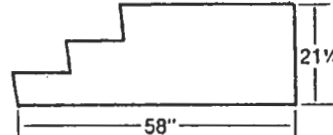
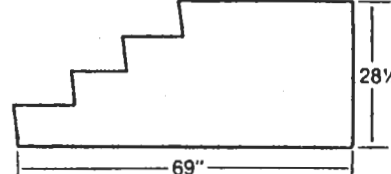




36" FRONT ENTRY STEPS



| LENGTH | | WIDTH 48" |
|---|------------------------|----------------|
|  | ITEM # WEIGHT (LB.) | R8•001 625 |
|  | ITEM # WEIGHT (LB.) | R8•002 980 |
|  | ITEM # WEIGHT (LB.) | R8•003 1365 |
|  | ITEM # WEIGHT (LB.) | R8•004 1780 |

- SPECIFICATIONS:**
- 5000 PSI at 28 days
 - Reinforcing - as shown on page R14•1, Detail #1
 - Thickness: Sides - 2"
Platform - 3"
Treads - 3"
 - Air entraining: 5-7%

NOTES: • Lined finish (see Detail #1, page R14•0)