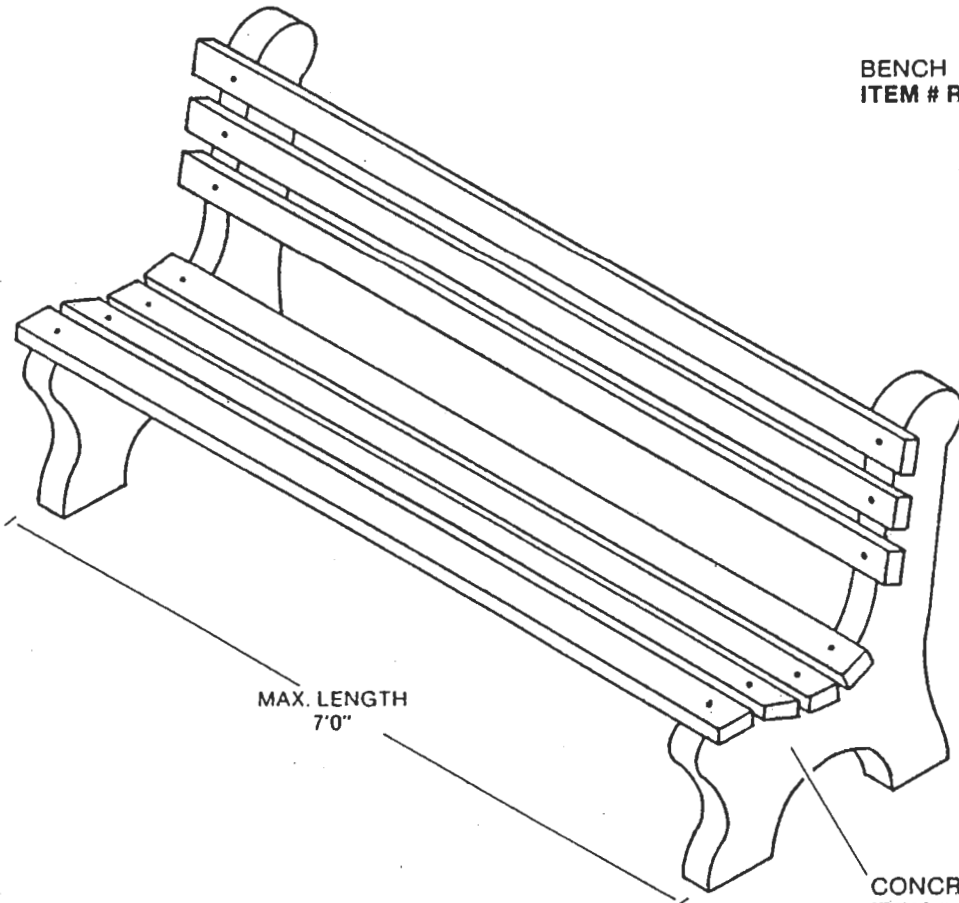




BENCH

BENCH
ITEM # R6•101



MAX. LENGTH
7'0"

CONCRETE SECTION
ITEM # R6•102
WEIGHT: 125 lb.

- SPECIFICATIONS:**
- 5000 PSI at 28 days
 - Air entraining: 5-7%

- NOTES:**
- Bench sold assembled or concrete sections sold separately (requires 7 pcs. 2x4)
 - Wolmanized wood, concrete sections and stainless steel bolts c/w star insert all combine to provide an attractive, maintenance free product that will not rust, corrode or deteriorate
 - The simple design and nature of the material make this product a beautiful addition to any surrounding