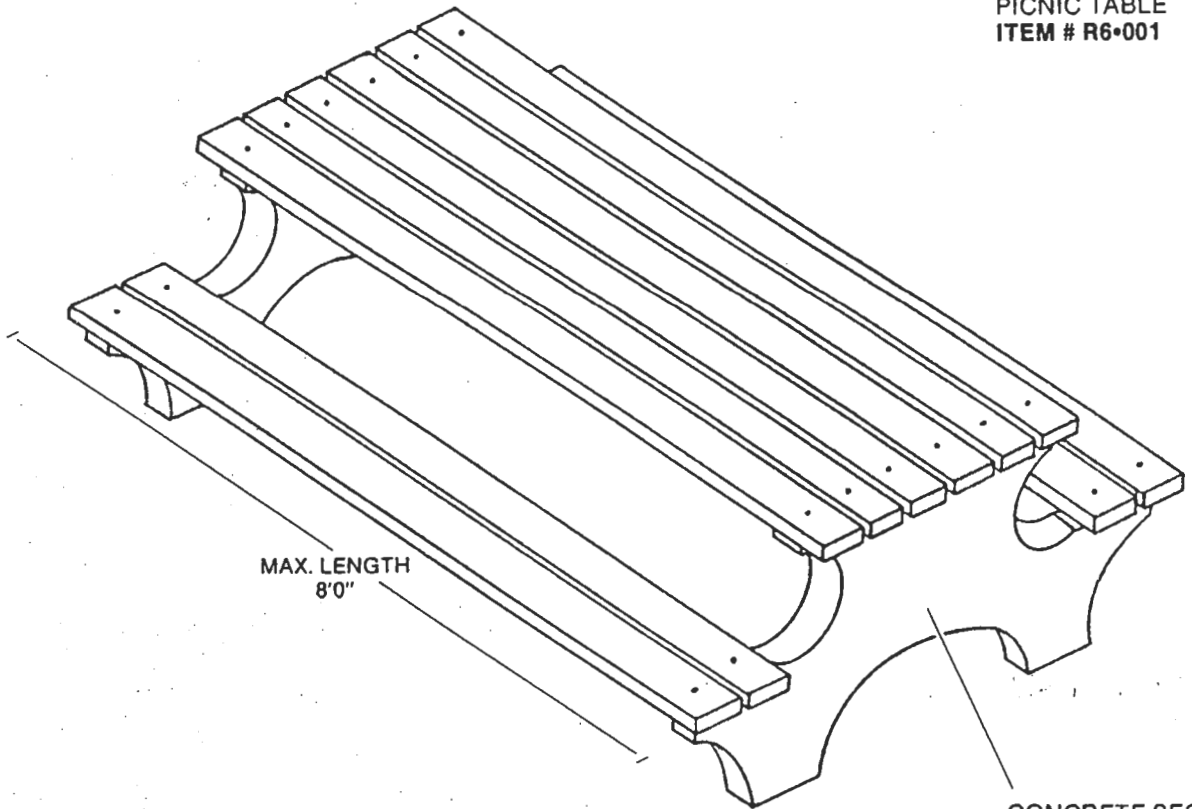




PICNIC TABLE

PICNIC TABLE
ITEM # R6•001



MAX. LENGTH
8'0"

CONCRETE SECTION
ITEM # R6•002
WEIGHT: 320 LB.

- SPECIFICATIONS:**
- 5000 PSI at 28 days
 - Air entraining: 5-7%

- NOTES:**
- Picnic table sold assembled or concrete sections sold separately (requires 10 pcs. of 2 x 6)
 - Wolmanized wood, concrete sections and stainless steel bolts c/w star insert all combine to provide an attractive, maintenance free product that will not rust, corrode or deteriorate
 - The simple design and nature of the material make this product a beautiful addition to any surrounding