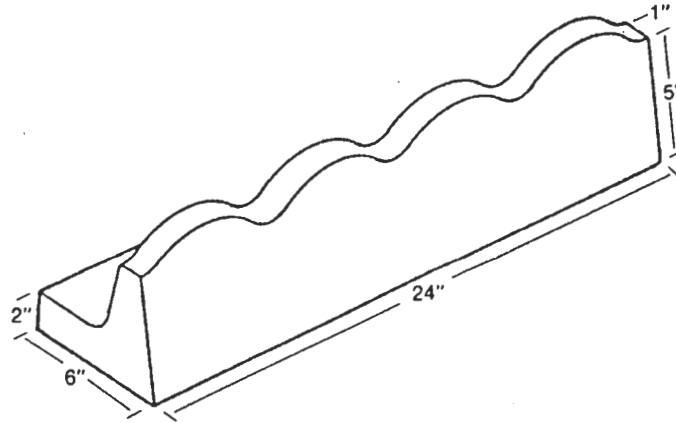


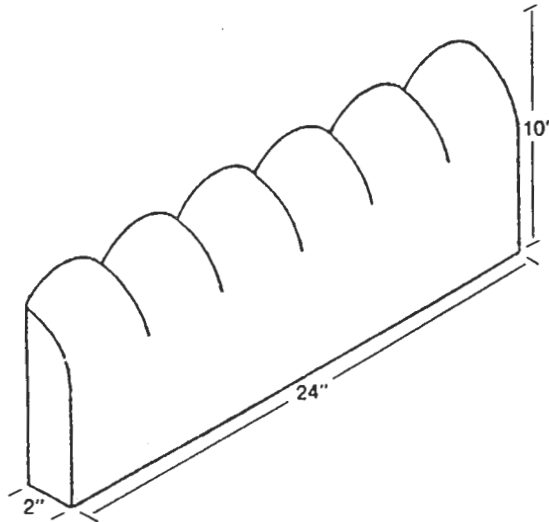


SCALLOPED CURBING

ITEM # R3•101
WEIGHT: 40 lb.



ITEM # R3•102
WEIGHT: 35 lb.



- SPECIFICATIONS:**
- 5000 PSI at 28 days
 - Air entraining: 5-7%

NOTES: • These decorative curbs are excellent for lining flower beds, driveways, etc.