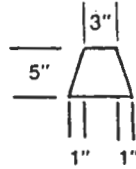
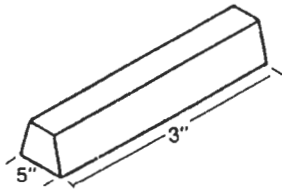


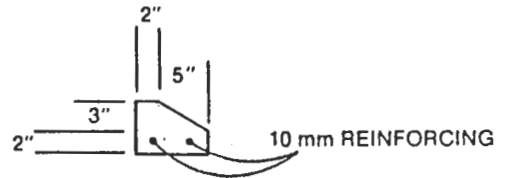
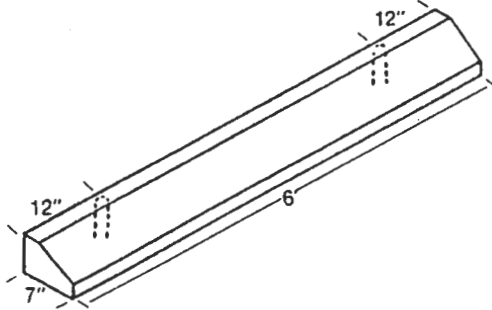


CURBING

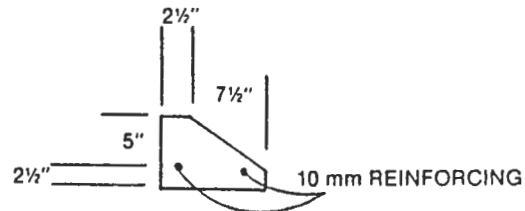
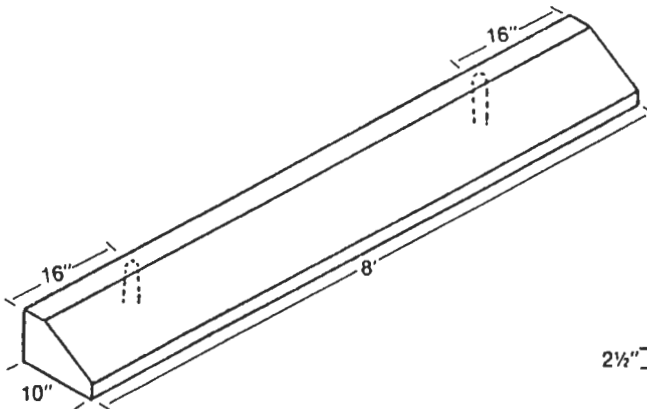
ITEM # C2•001
WEIGHT: 65 lb.



ITEM # C2•002
WEIGHT: 200 lb.



ITEM # C2•003
WEIGHT: 410 lb.



- SPECIFICATIONS:**
- 5000 PSI at 28 days
 - 10 mm Reinforcing as shown
 - Air entraining: 5-7%

- NOTES:**
- 6' to 8' curbing contain 3/8" diameter anchor holes
 - Excellent for driveways, borders, gardens, etc.
 - Other sizes of curbing available. See page C2•1