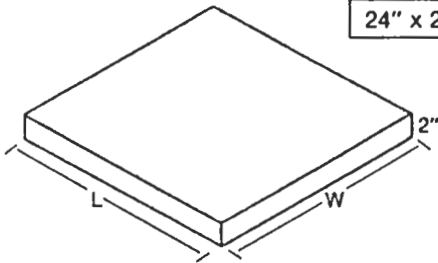




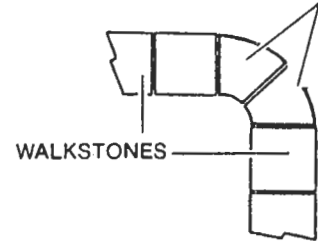
# WALKSTONES

DESCRIPTION	WEIGHT	ITEM #
12" x 24" x 2" Walkstone	50 lb.	R2•001
12" x 30" x 2" Walkstone	60 lb.	R2•002
18" x 18" x 1½" Walkstone	55 lb.	R2•003
24" x 24" x 2" Walkstone	100 lb.	R2•004
24" x 24" x 2" Reinforced Walkstone	100 lb.	R2•005
24" x 30" x 2" Walkstone	120 lb.	R2•006
24" x 30" x 2" Reinforced Walkstone	120 lb.	R2•007
24" x 2" Cornerstone	80 lb.	R2•008
30" x 2" Cornerstone	95 lb.	R2•009
24" x 2" Reducer stone	30 lb.	

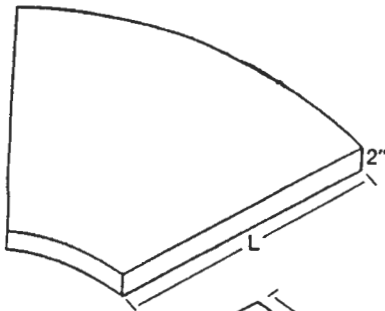
WALKSTONES



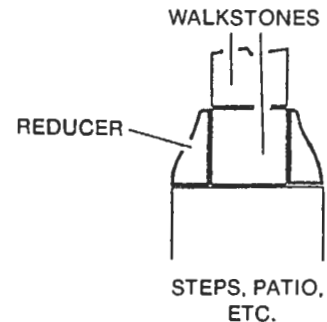
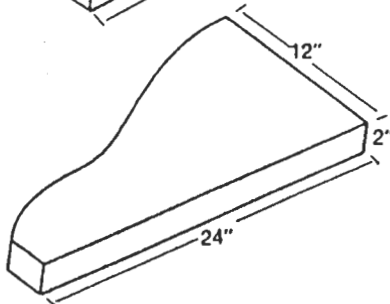
CORNERSTONES



CORNER STONES



REDUCERS



- SPECIFICATIONS:**
- 5000 PSI at 28 days
  - Reinforcing - as noted
  - Air entraining: 5-7%

- NOTES:**
- Various sizes of walkstones may be combined to provide a very attractive, functional walkway, patio, etc.
  - Each stone has a diamond-patterned tread surface
  - Optional Reinforcement - 2" x 2" x 14 gauge wire mesh