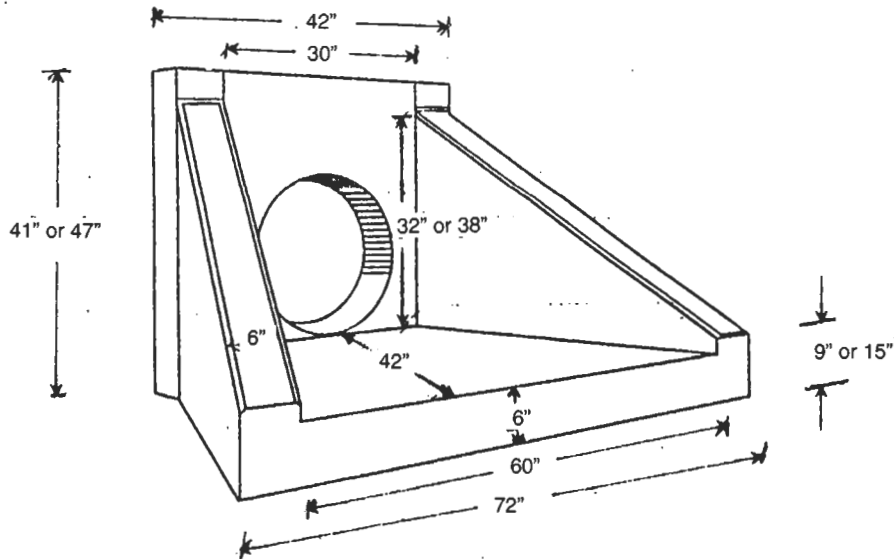




DRIVEWAY HEADWALL



- SPECIFICATIONS:**
- 5000 PSI Concrete at 28 days
 - Air entraining 5 - 7%
 - Reinforcing 10 m rebar @ 12" o.c.

- NOTES:**
- Lift holes installed for ease of handling
 - Pipe opening to customer's specification
 - Available in 2 different heights