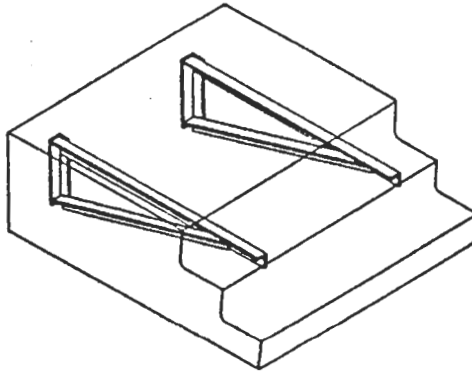
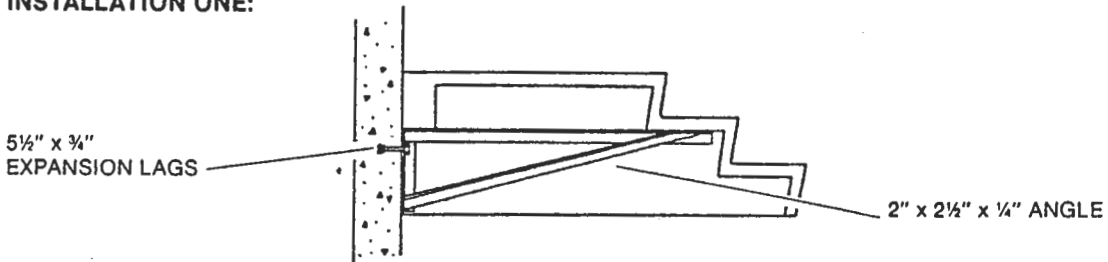




BRACKET INSTALLATION



INSTALLATION ONE:



NOTE: • Used where access to interior basement wall is restricted (eg. finished basement)

INSTALLATION TWO:

