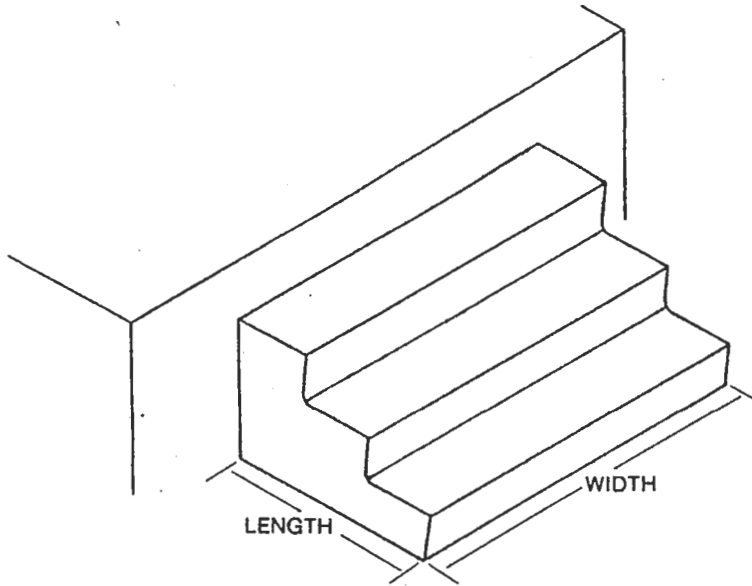




# SHORT STEPS



LENGTH		WIDTH	
		54"	
	ITEM # WEIGHT (LB.)	R10•101 600	
	ITEM # WEIGHT (LB.)	R10•102 600	
	ITEM # WEIGHT (LB.)	R10•103 925	
	ITEM # WEIGHT (LB.)	R10•104 1280	

- SPECIFICATIONS:**
- 5000 PSI at 28 days
  - Reinforcing - as shown on page R14•2, Detail #1
  - Air entraining: 5-7%
  - Thickness: Sides - 2"  
Platform - 3"  
Treads - 3"

**NOTES:** • Dimpled finish (see Detail #2, page R14•0)