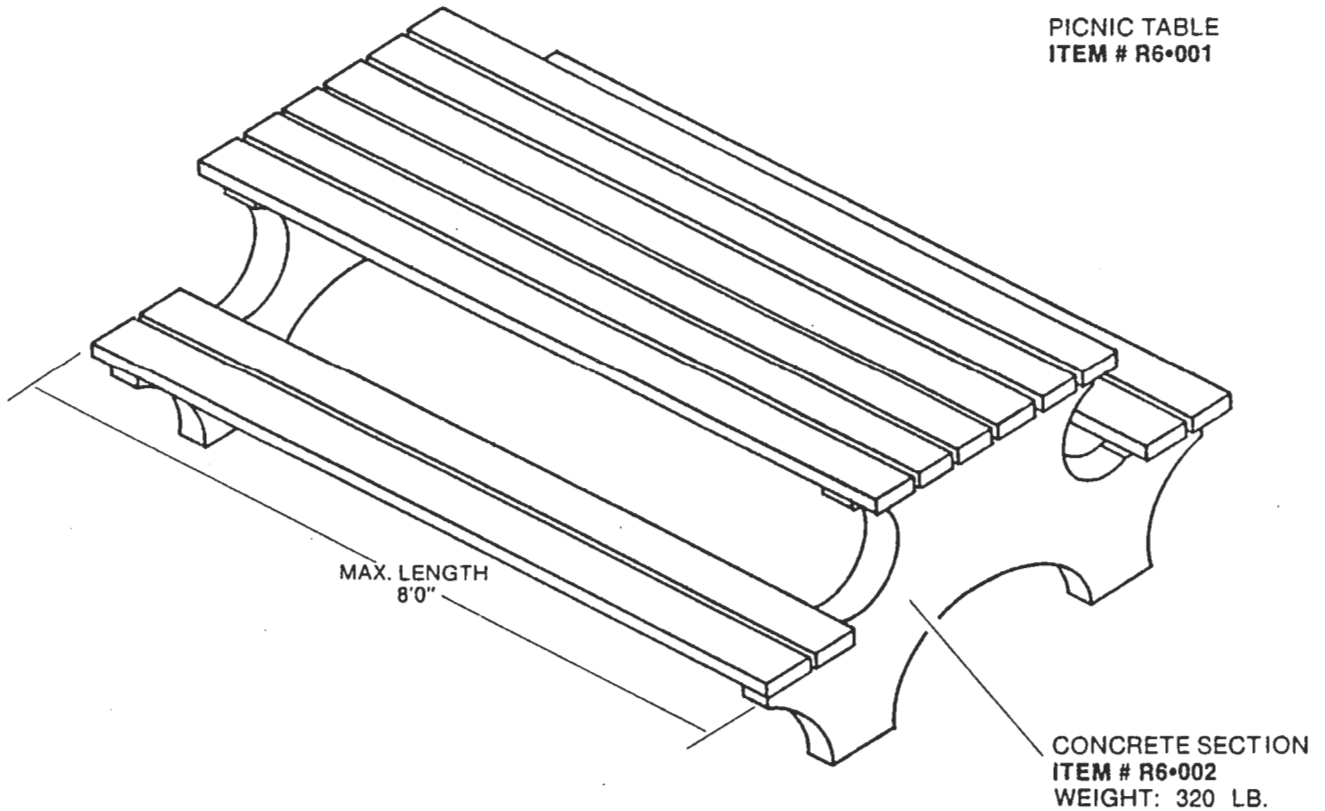




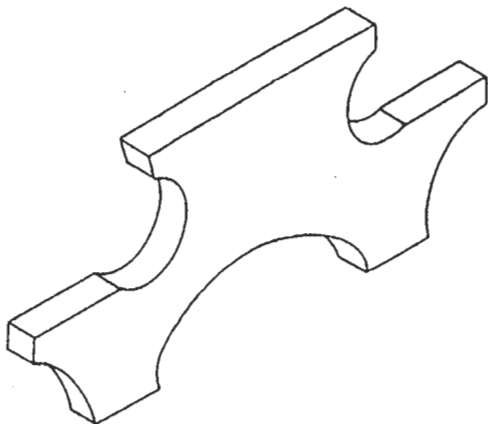
# PICNIC TABLE

PICNIC TABLE  
ITEM # R6•001



- SPECIFICATIONS:**
- 5000 PSI at 28 days
  - Air entraining: 5-7%

- NOTES:**
- Picnic table sold assembled or concrete sections sold separately (requires 10 pcs. of 2 x 6)
  - Wolmanized wood, concrete sections and stainless steel bolts c/w star insert all combine to provide an attractive, maintenance free product that will not rust, corrode or deteriorate
  - The simple design and nature of the material make this product a beautiful addition to any surrounding



ITEM # R6•002