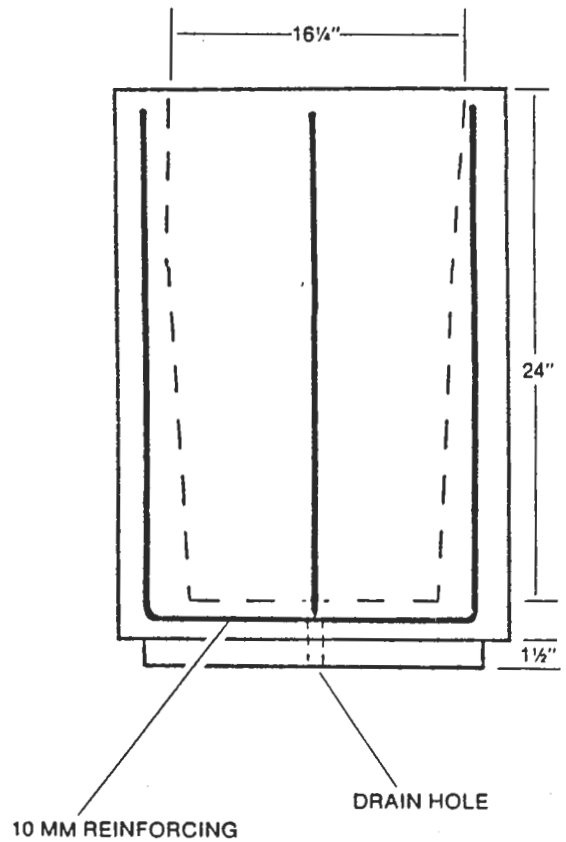
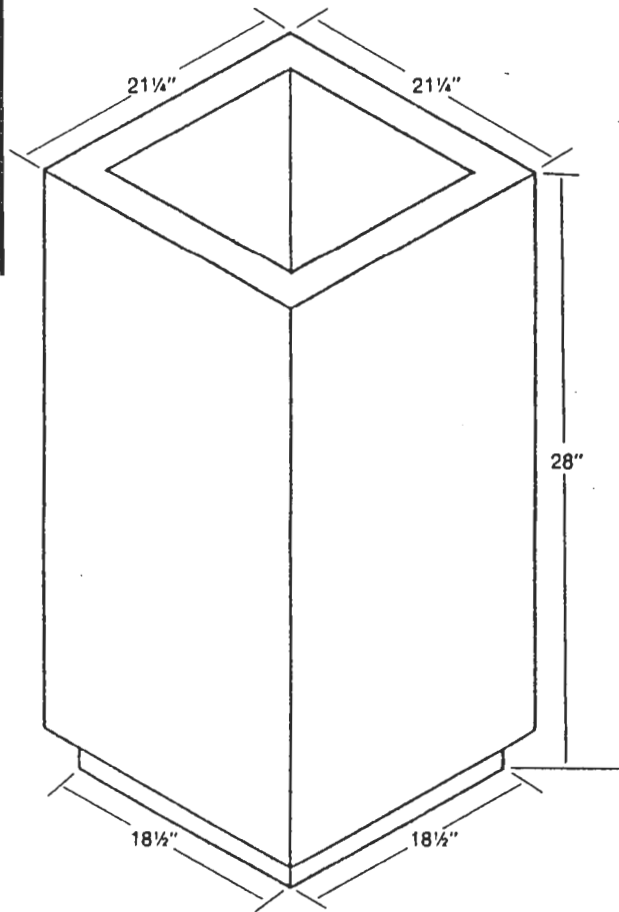




# GARBAGE CONTAINERS

ITEM # C20•001  
WEIGHT: 640 LB.



- SPECIFICATIONS:**
- 5000 PSI at 28 days
  - Reinforcing as shown
  - Air entraining: 5-7%

- NOTES:**
- Steel liners supplied by others
  - Does not rust or deteriorate