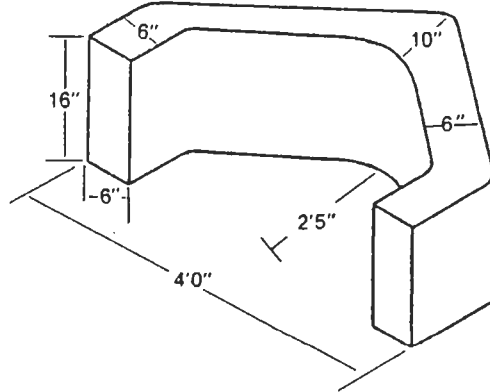


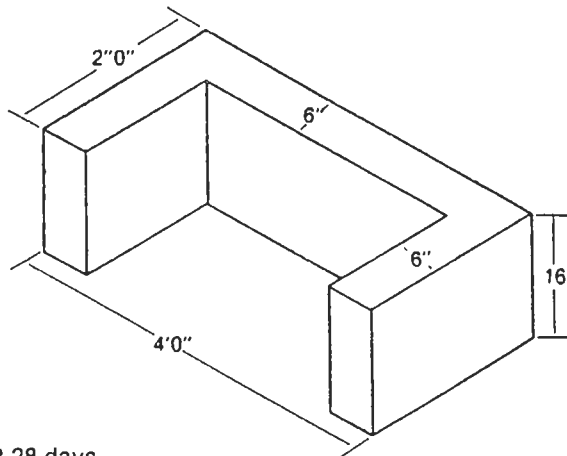


ANGLED PLANTER



ITEM # C3•001
WEIGHT: 825 LB.

SQUARE PLANTER



ITEM # C3•002
WEIGHT: 700 LB.

- SPECIFICATIONS:**
- 5000 PSI at 28 days
 - Reinforcing - 2 x 2 x 12 Gauge W.W.M.
 - Air entraining: 5-7%

- NOTES:**
- Resists damage from accidental bumps
 - Can be sandblasted to obtain an exposed aggregate surface
 - Angled planter accommodates parking
 - Can be assembled around existing trees
 - Excellent tree well
 - Tree guards also available. See page # R17•0

Planters can be assembled in the following three ways:

