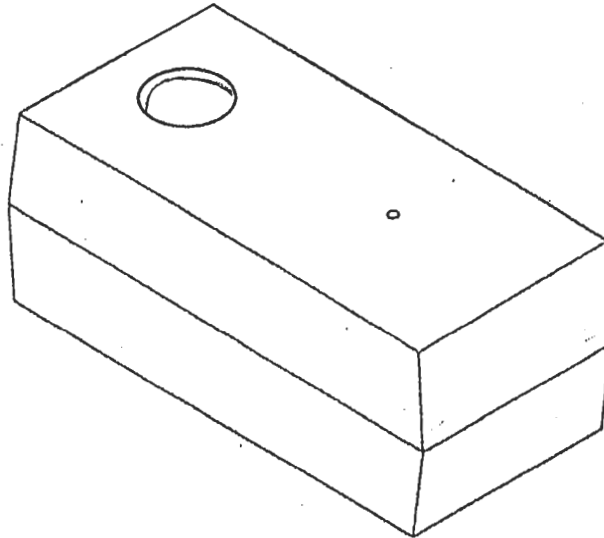




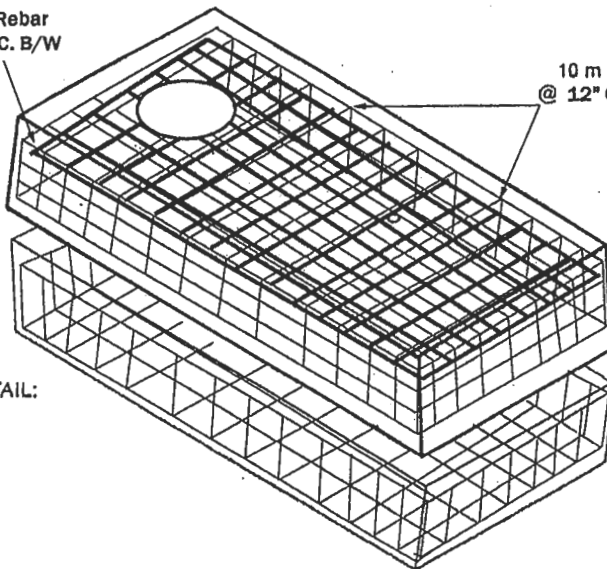
ISOMETRIC VIEW:



15m Rebar
@ 9" O.C. B/W

10 m Rebar
@ 12" O.C. B/W

REINFORCING DETAIL:



- SPECIFICATIONS:**
- Approved by the P.E.I. Dept. of Fisheries, Aquaculture and Environment
 - 5000 psi at 28 days
 - Air entraining: 5-7%
 - Reinforcing as shown
 - Conforms to ASTM C-853-83