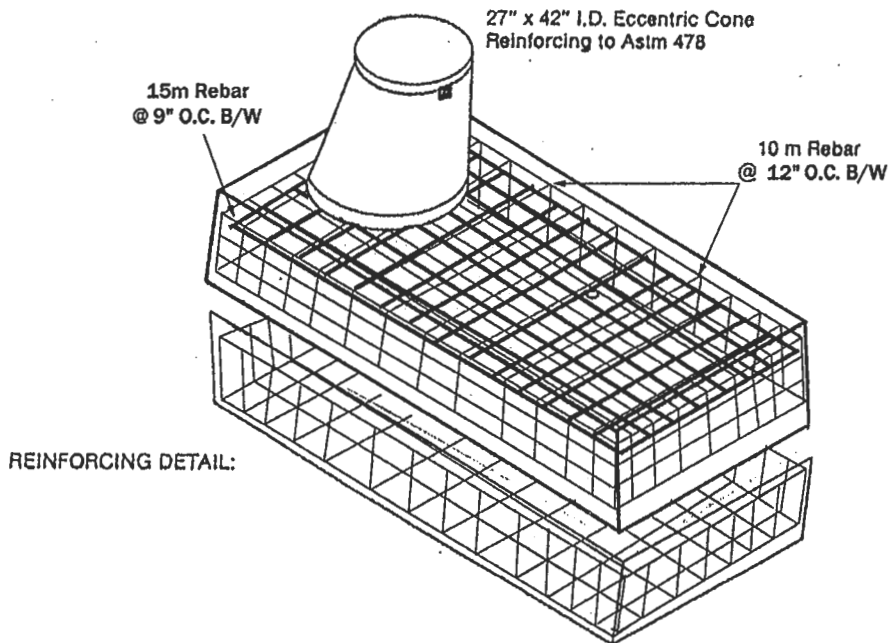
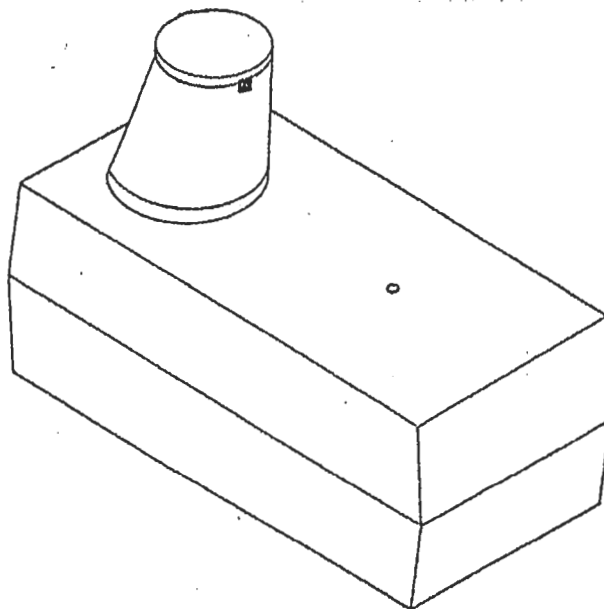




ISOMETRIC VIEW:



REINFORCING DETAIL:

- SPECIFICATIONS:**
- Approved by the P.E.I. Dept. of Fisheries, Aquaculture and Environment
 - 5000 psi at 28 days
 - Air entraining: 5-7%
 - Reinforcing as shown
 - Conforms to ASTM C-853-83