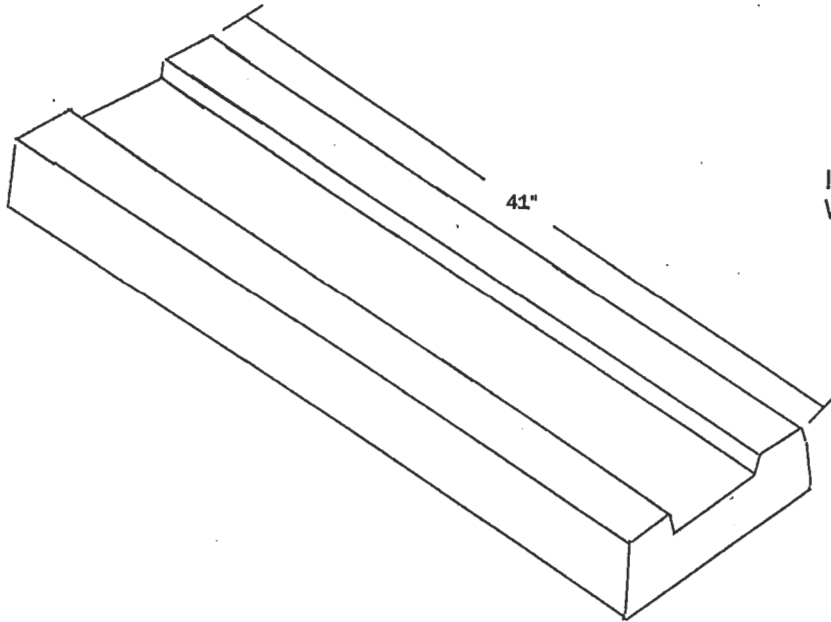




PROPANE TANK BASE



ITEM # C20.001
WEIGHT: 100 LBS.

- SPECIFICATIONS:**
- 5000 PSI at 28 days
 - Reinforcing as shown below
 - Air entraining: 5-7%

- NOTES:**
- Two propane tank bases are required for a standard residential propane tank

