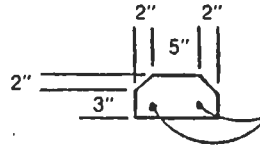
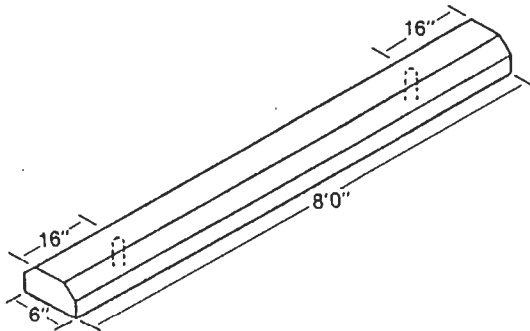


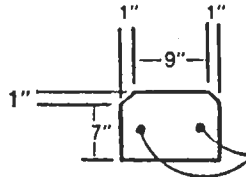
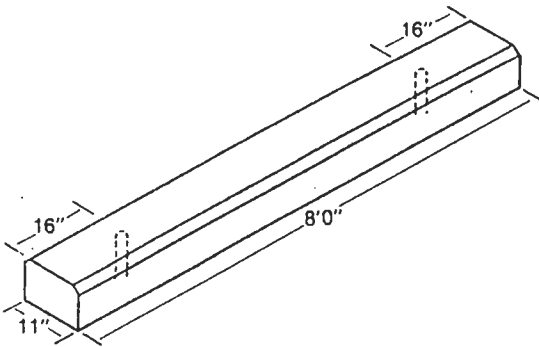


CURBING



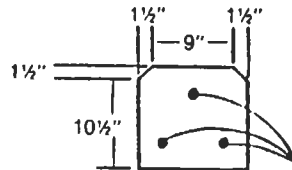
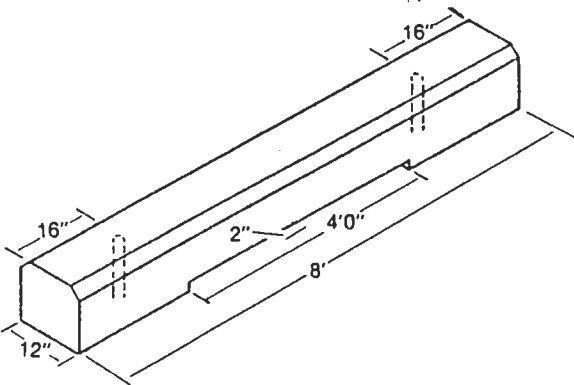
ITEM # C2•101
WEIGHT: 340 lb.

REINFORCING



ITEM # C2•102
WEIGHT: 720 lb.

REINFORCING



ITEM # C2•103
WEIGHT: 1185 lb.

REINFORCING

- SPECIFICATIONS:**
- 5000 PSI at 28 days
 - 10 mm reinforcing as shown
 - Air entraining: 5-7%

- NOTES:**
- 6' & 8' curbing contain 2-3/4" dia. anchor holes. Available on other sizes upon request
 - Excellent for: driveways, borders, dividers for parking lots, traffic control, etc. ...
 - Item # C2•103 (as shown) has been recessed to allow for drainage & forklift handling