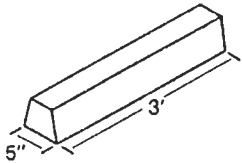
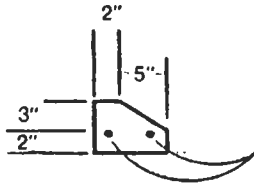
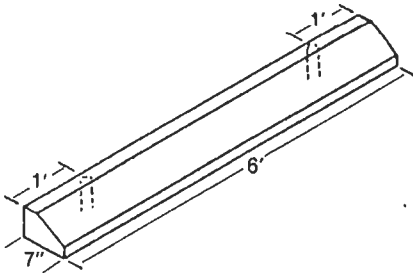




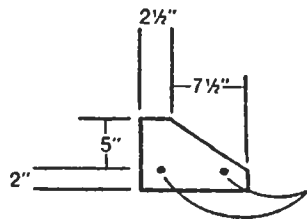
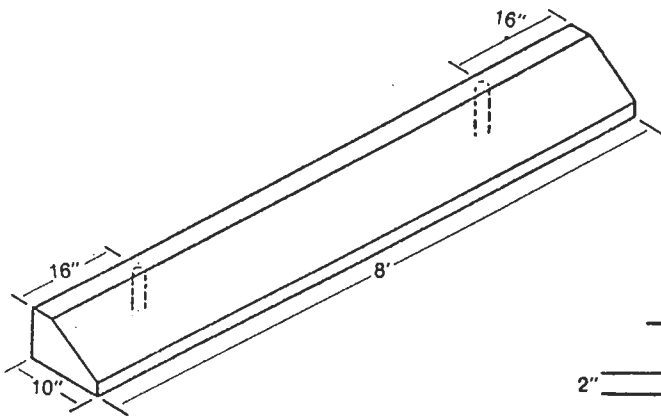
CURBING



ITEM # C2•001
WEIGHT: 65 LB.



ITEM # C2•002
WEIGHT: 200 LB.
REINFORCING



ITEM # C2•003
WEIGHT: 410 LB.
REINFORCING

- SPECIFICATIONS:**
- 5000 PSI at 28 days
 - 10 mm reinforcing as shown
 - Air entraining: 5-7%

- NOTES:**
- 6' & 8' curbing contain 2-3/8" dia. anchor holes. Available on other sizes upon request
 - Excellent for: driveways, borders, dividers for parking lots, traffic control, etc. ...