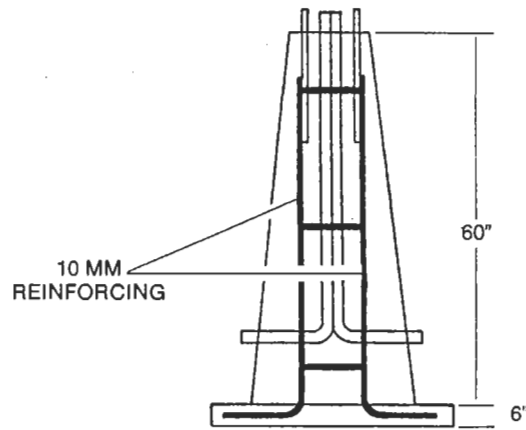
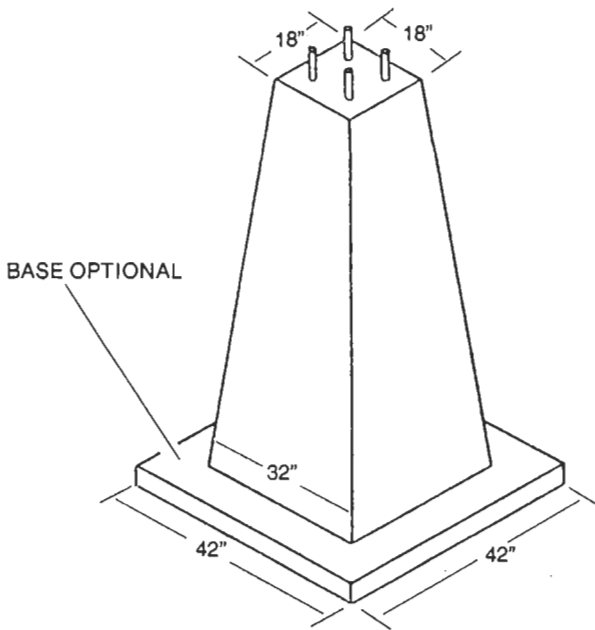




LIGHT POLE FOOTINGS

ITEM # C19•001
WEIGHT: 3200 LB.



- SPECIFICATIONS:**
- 5000 PSI at 28 days
 - 10 mm reinforcing as shown
 - Anchor bolts and conduits as per customer specifications
 - Air entraining: 5-7%

- NOTES:**
- Quick installation results in minimum disruption of traffic
 - Depth of concrete footings below grade minimizes frost movement
 - Can be produced with galvanized corner protector