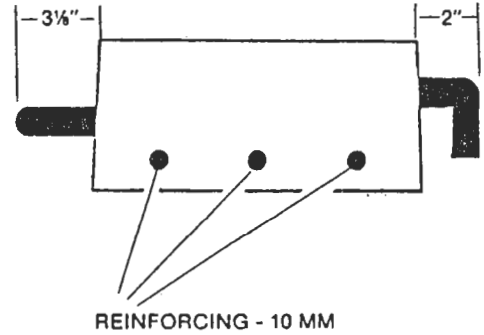
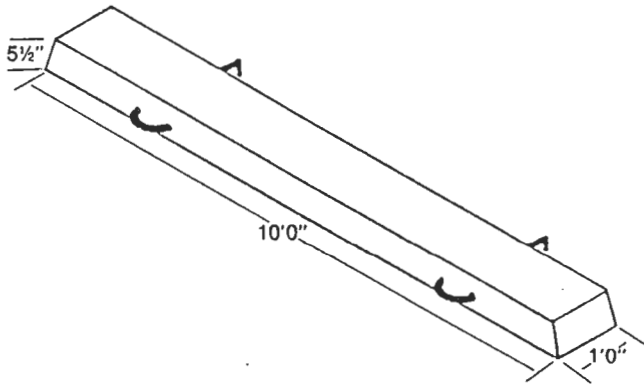




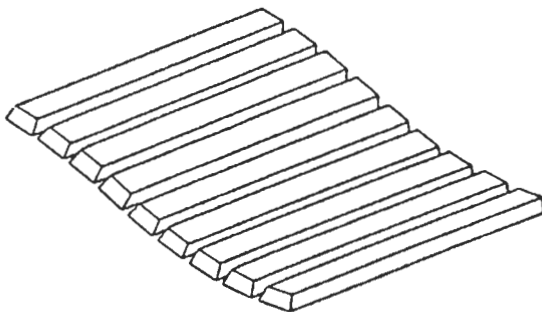
# BOAT LAUNCH RAMP

ITEM # C15•001  
WEIGHT: 660 lb.



- SPECIFICATIONS:**
- 5000 PSI at 28 days
  - Reinforcing as shown
  - Galvanized hook and eye
  - Air entraining: 5-7%

- NOTES:**
- Quick installation between tides
  - The flexibility in the linking system accommodates contours in the landscape (as shown below) and frost movement
  - The surface is rough textured to provide a skid resistant surface



THE INDIVIDUAL SECTIONS LINK TOGETHER AS SHOWN HERE:

