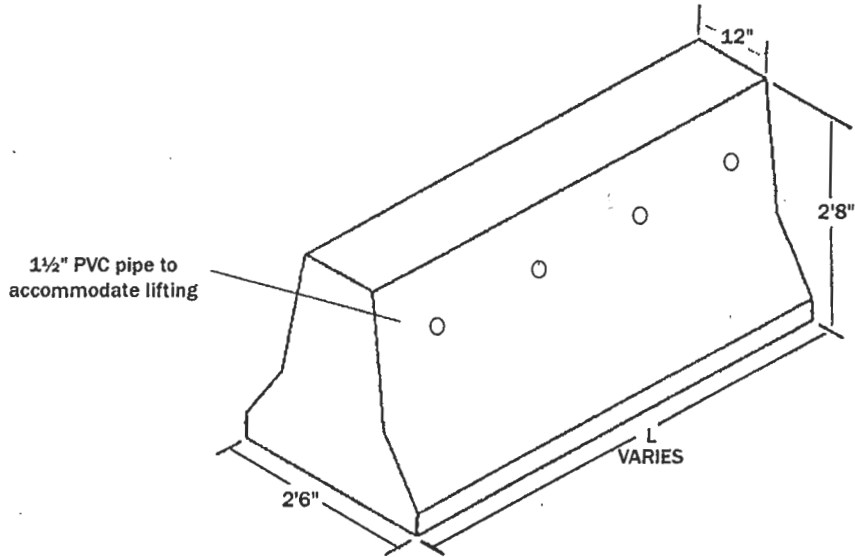




MEDIAN BARRIER



ITEM #	LENGTH	WEIGHT (LB.)
C14•001	4'	2000
C14•003	8'	4000

- SPECIFICATIONS:**
- 5000 PSI at 28 days
 - Reinforcing as per customer specifications
 - The barrier connecting mechanisms as per customer specifications
 - Air entraining: 5-7%

- NOTES:**
- Excellent for barricades
 - An excellent solution where temporary traffic control is required
 - The barrier can be manufactured with recess to allow for drainage and forklift handling
 - Median barriers are available on a rental basis for temporary traffic control