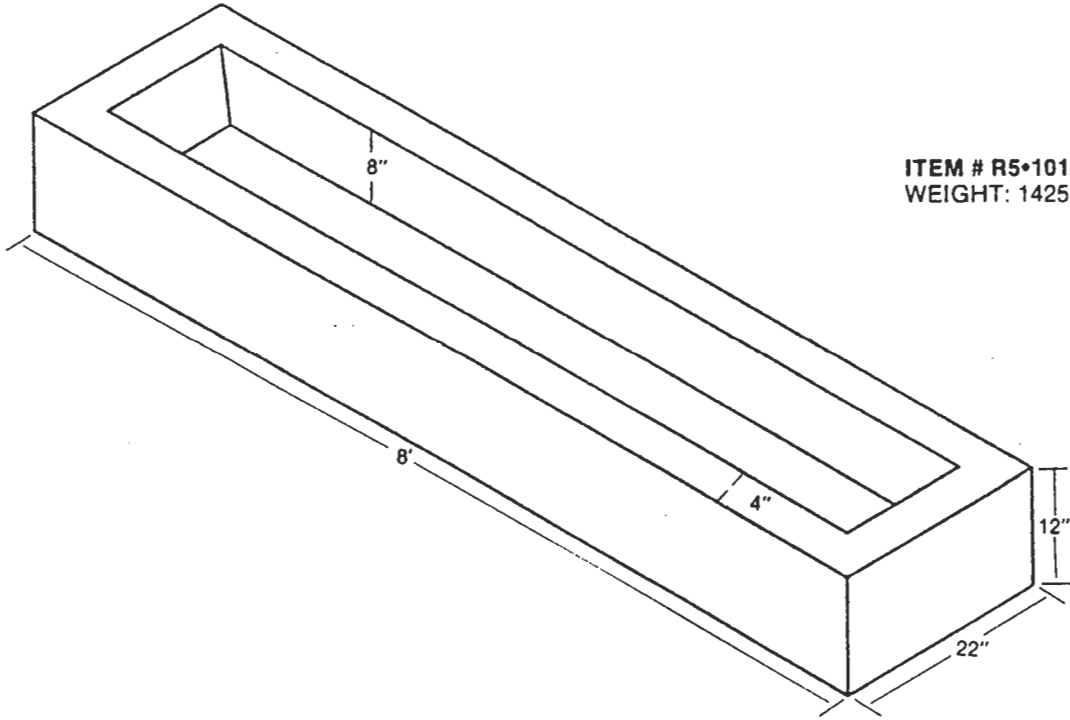


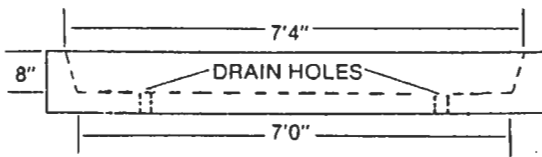


FLOWER PLANTER



ITEM # R5•101
WEIGHT: 1425 lb.

SECTION:



- SPECIFICATIONS:**
- 5000 PSI at 28 days
 - Air entraining: 5-7%

- NOTES:**
- Concrete does not rust, corrode or deteriorate
 - Planter has two drain holes to allow excess water to pass
 - A low maintenance solution to decorative needs
 - For all season use, planter should be lined with styrofoam to allow for soil expansion