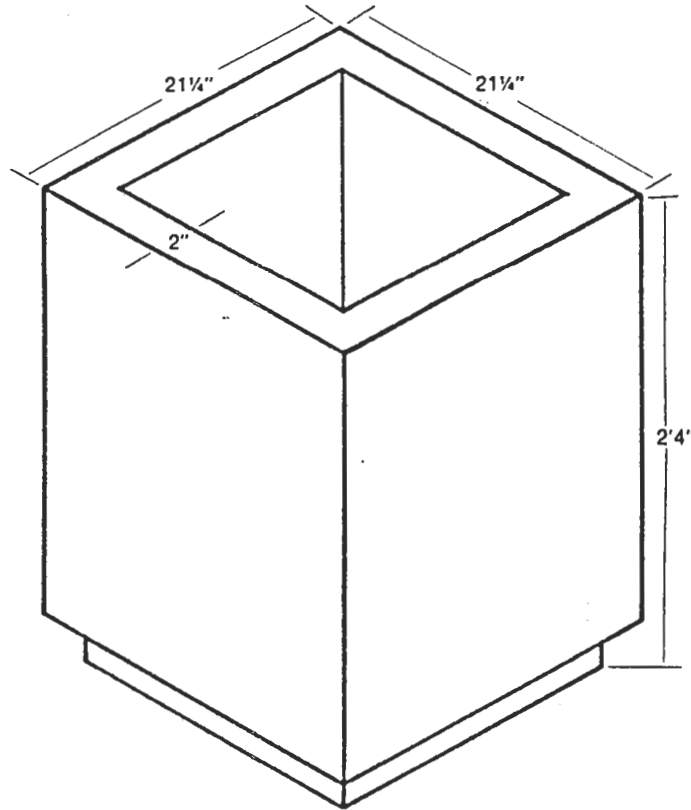


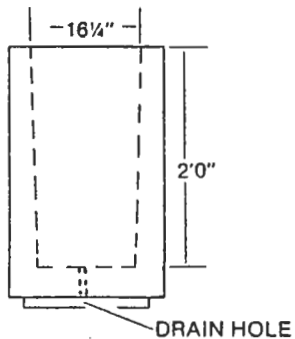


FLOWER PLANTER

ITEM # C11•001
WEIGHT: 640 lb.



SECTION:



- SPECIFICATIONS:**
- 5000 PSI at 28 days
 - Air entraining: 5-7%

- NOTES:**
- Concrete does not rust, corrode or deteriorate
 - Planter has a drain hole to allow excess water to pass
 - A low maintenance solution to decorative needs
 - For all season use, planter should be lined with styrofoam to allow for soil expansion