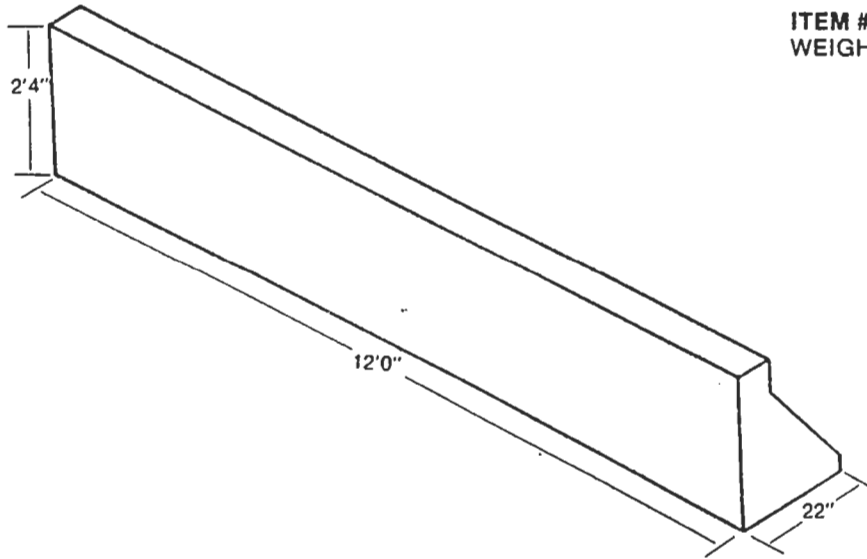




# SINGLE UNIT RETAINING WALLS



ITEM # C1•001  
WEIGHT: 4300 LB.

- SPECIFICATIONS:**
- 5000 PSI at 28 days
  - Reinforcing as shown below
  - Air entraining: 5-7%

- NOTES:**
- Retaining wall should be anchored to a "deadman" or similar anchorage
  - Wall is tapered to resist frost movement

10 mm REINFORCING

