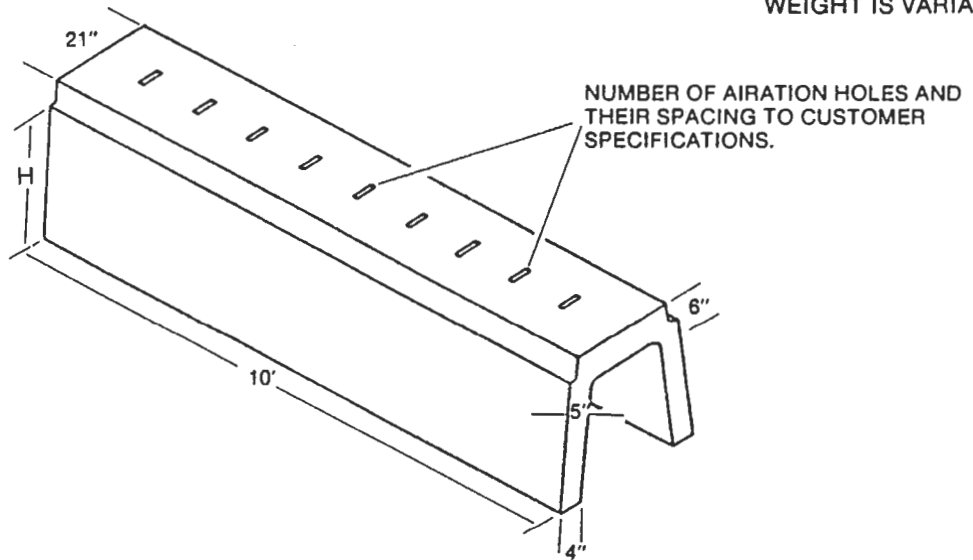




PRECAST AIR DUCT

ITEM # A5•001
WEIGHT IS VARIABLE

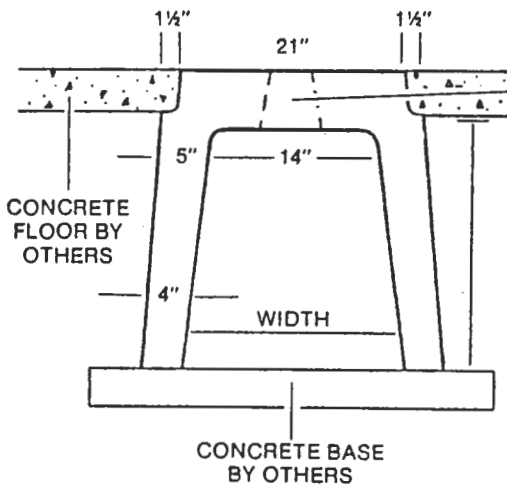
SEE BELOW FOR
NOTES ON HEIGHT



- SPECIFICATIONS:**
- 5000 PSI at 28 days
 - Air entraining: 5-7%

- NOTES:**
- Precast duct installed in floor gives an unobstructed floor area with very little maintenance
 - Will not rust, corrode or deteriorate
 - This product helps to maintain a proper environment for all root crops by allowing an even, efficient flow of clean air while permitting easy temperature and humidity control. This helps to prevent dehydration of crops.

END VIEW:



TOP OF AIRATION HOLE 3½" x 1"
BOTTOM OF HOLE 5" x 1½"

INSIDE HEIGHT TO CUSTOMER SPECIFICATIONS (6"-24" max.)

INSIDE WIDTH IS DETERMINED BY SPECIFIED HEIGHT. EACH VERTICAL FOOT INCREASES THE TOTAL WIDTH BY 2".

REINFORCING:

